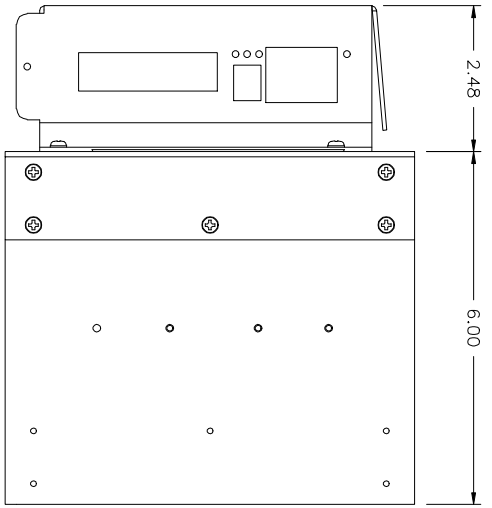
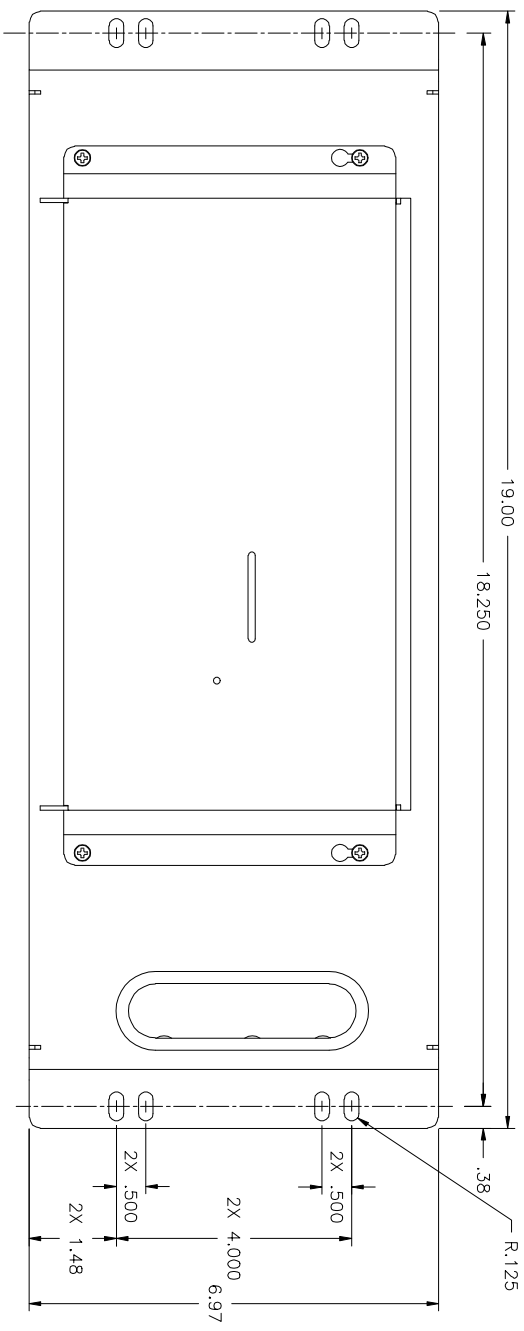
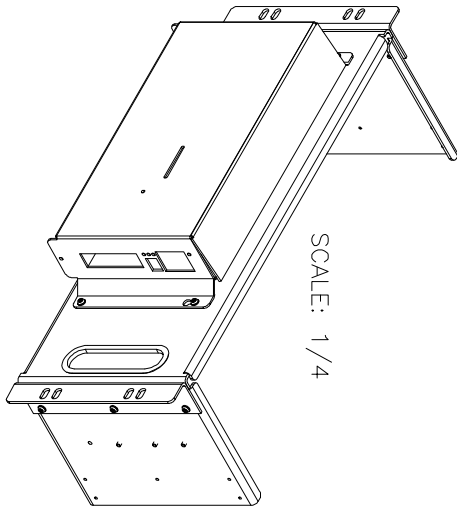
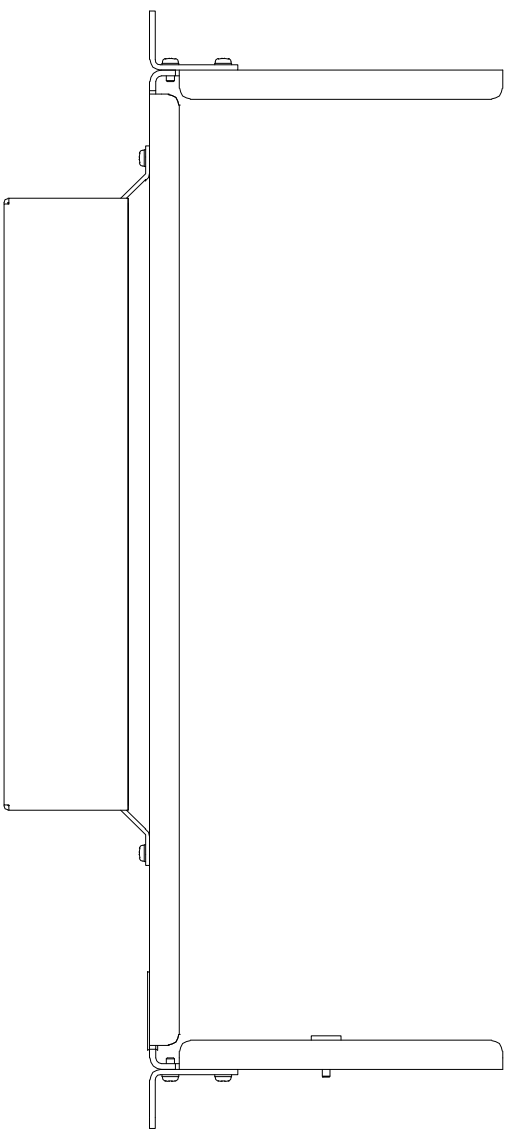


THIS DOCUMENT AND THE INFORMATION CONTAINED HEREIN ARE UNCLASSIFIED UNLESS INDICATED OTHERWISE AND SHALL NOT BE USED OR DISCLOSED TO OTHERS, WITHOUT THE WRITTEN AUTHORIZATION OF NEWAIR CORPORATION.



SCALE: 1/2

SCALE: 1/4

\\newairprod\shared\OAW\ACCESSORY PANELS\15361-0N1.dwg, 8/4/2010 11:31:16 AM, DWG To PDF.pc3, 1:3:26:97

<b>NEWAIR</b>	
OUTLINE & MOUNTING	
MODEL	RM-SPS
P/N	466-5360-0
SCALE	SIZE
NOTE	B 15361-0 NC
REV.	
SHEET	1 OF 1

August 04 10/ 10:49am  
ELECTRONIC MEDIA: W072008: 15361-0N1.DWG