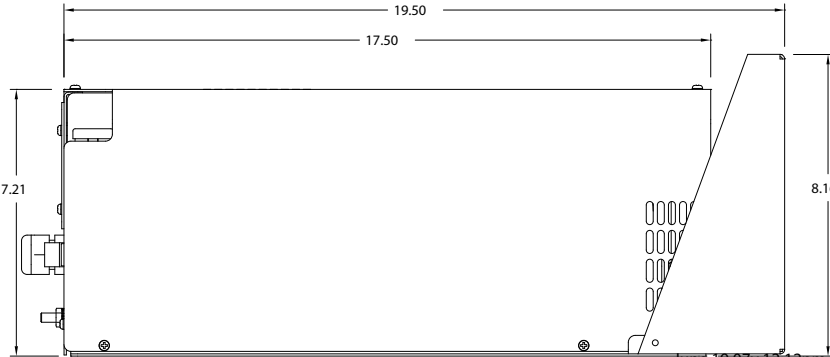
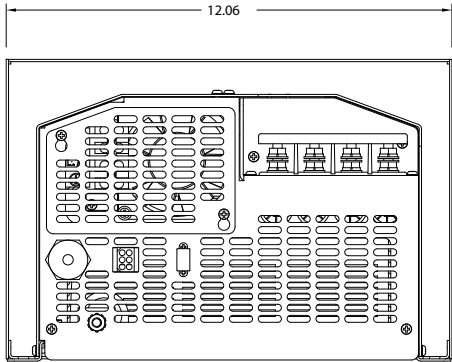
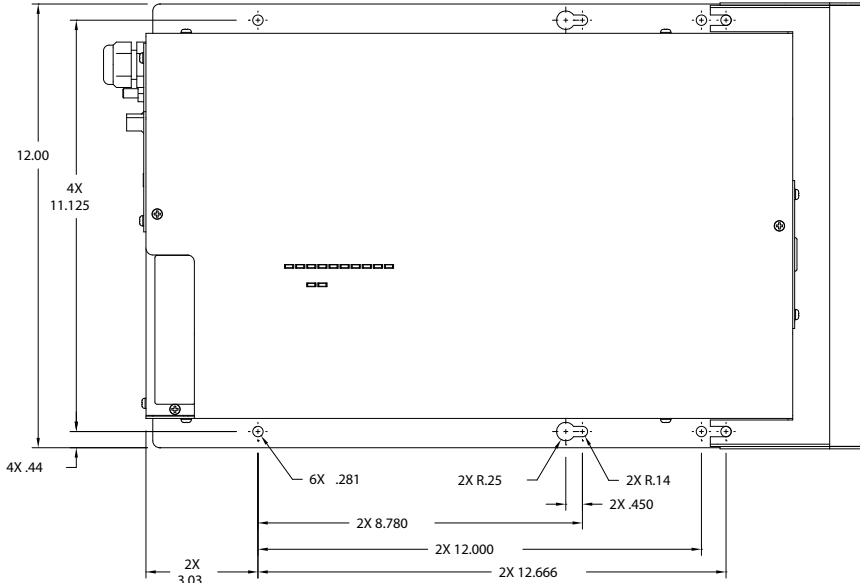
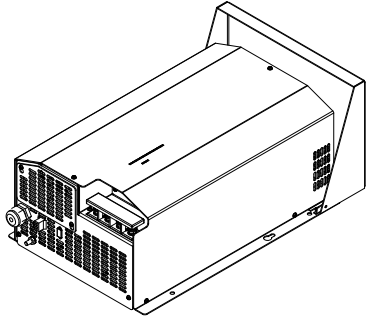


THIS DOCUMENT AND THE INFORMATION CONTAINED THEREIN IS PROPRIETARY TO NEWMAR CORPORATION AND SHALL NOT BE USED OR DISCLOSED TO OTHERS, IN WHOLE OR IN PART, WITHOUT THE WRITTEN AUTHORIZATION OF NEWMAR CORPORATION.



June 19 07 y 12:12pm

REVISIONS			
REV	DESCRIPTION	DATE	APP'D
NC	PILOT RELEASE	06-19-07	

REF	PT-24-60W	445-4741-0
REF	PT-24-95W	445-4710-0
QTY	MODEL	PART No.
NEW ASSSEMBLY		
APPLICATION		

SCALE: 3/8
OM14698-0

NEWMAR
2911 W GARRY AVE. SANTA ANA, CA 92704
TEL 714-751-9488 FAX 714-957-1621

APPROVALS	DATE		
E. ROBINSON	06/19/07		
SCALE	SIZE	DRAWING NO.	REV.
AS NOTED	B	14698-0	NC
SHEET 1 OF 1			