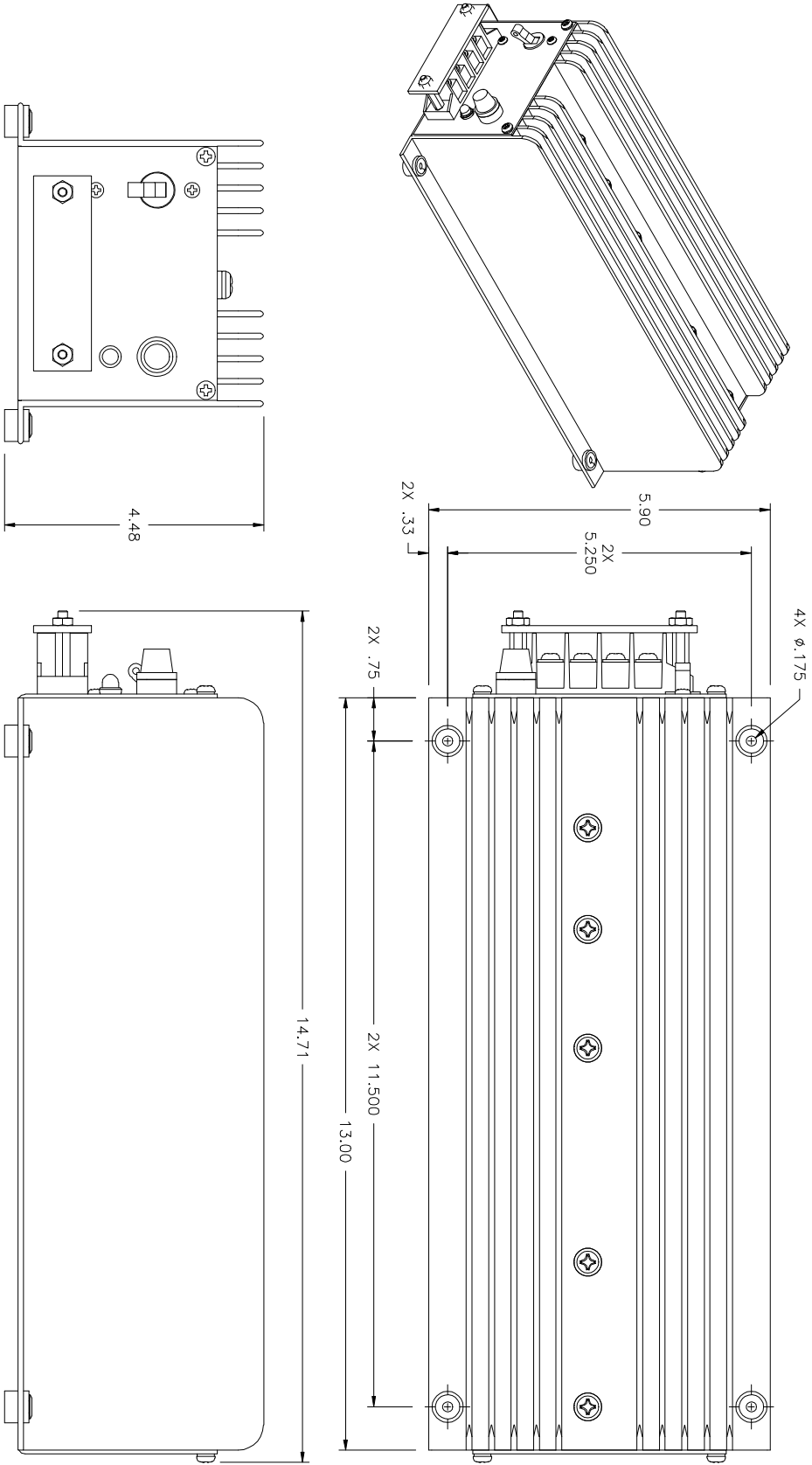


THIS DOCUMENT AND THE INFORMATION CONTAINED HEREIN IS UNCLASSIFIED EXCEPT WHERE SHOWN OTHERWISE AND SHALL NOT BE USED OR DISCLOSED TO OTHERS, WITHOUT THE EXPRESS WRITTEN AUTHORIZATION OF NEWMAR CORPORATION.



REVISIONS		
REV	DESCRIPTION	DATE
NC	INITIAL RELEASE	10-13-10
		APPROVED

SCALE: 9/16
OM14549-0

NEWMAR

2911 W. GERRY AVE. SANTA ANA, CA 92704
TEL 714-751-0488 FAX 714-957-1621

APPROVALS	DATE	DESCRIPTION
DESIGNED BY: J.A.A./RD		
CHECKED BY: J.A.A./RD		
SCALE: 9/16		
SIZE: 460-0650-0		
REV. B	14549-0	NC
SHOWN		

Unreleased IOM/SDC-DC/OM 48-12-16 114549-0N1.dwg, 10/13/2010 1:54:59 PM, DWG To PDF.pc3, 1:2:69828

October 13 10:1:25pm
ELECTRONIC MEDIA: MD12008: 14549-0N1.DWG SHEET 1 OF 1