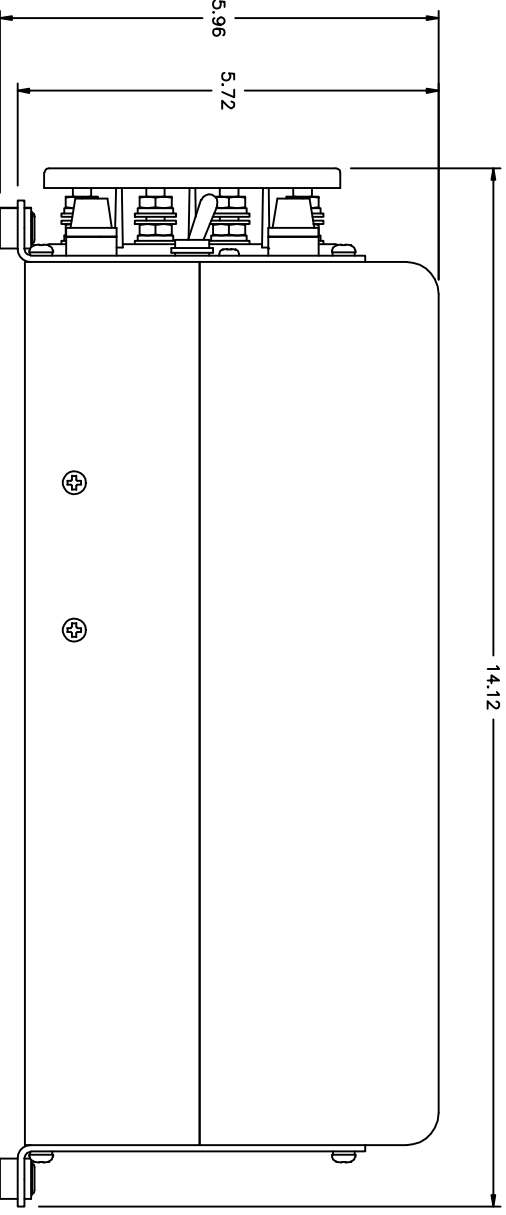
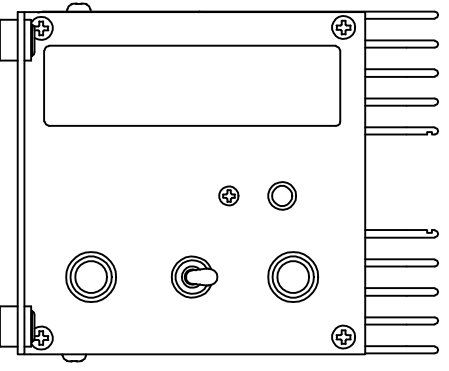
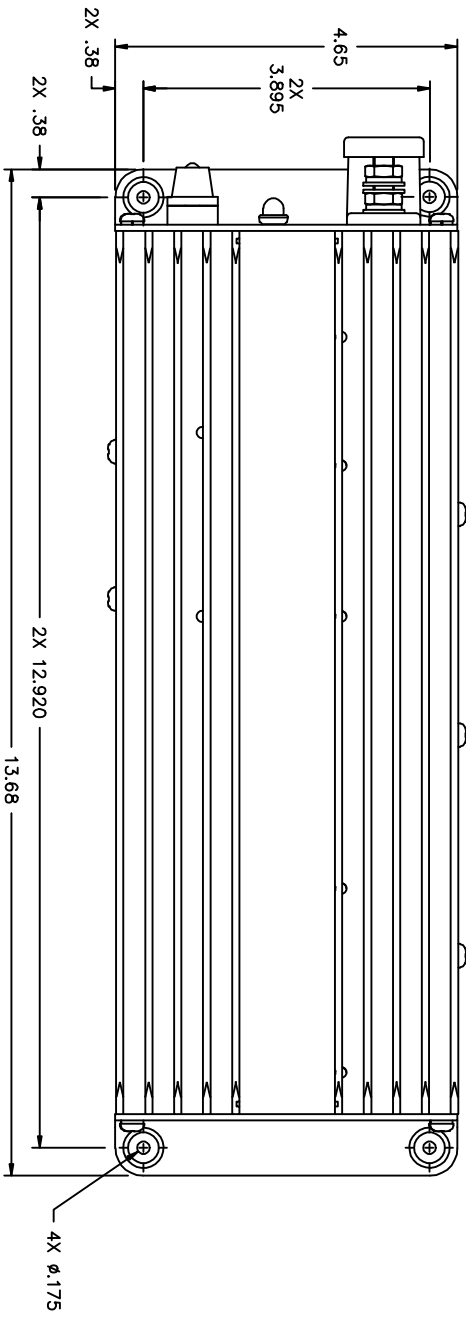
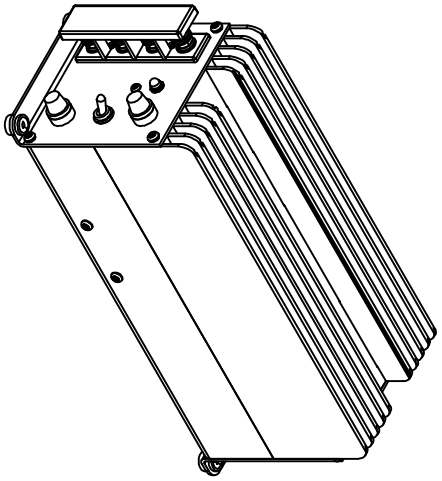


THIS DOCUMENT AND THE INFORMATION CONTAINED  
HEREIN ARE UNCLASSIFIED EXCEPT WHERE SHOWN  
OTHERWISE AND SHALL NOT BE USED OR DISCLOSED TO OTHERS  
WITHOUT THE WRITTEN AUTHORIZATION OF FEDERAL CORPORATION.



SCALE: 5/8  
October 29 10y 11:58am

<b>NEWARK</b>	
O & M DC-DC CONVERTER	MODEL 110-12-18SP
SCALE	PN 463-1118-0
SIZE	DRAWING NO. NEW
NOTED	B 15361-01NC