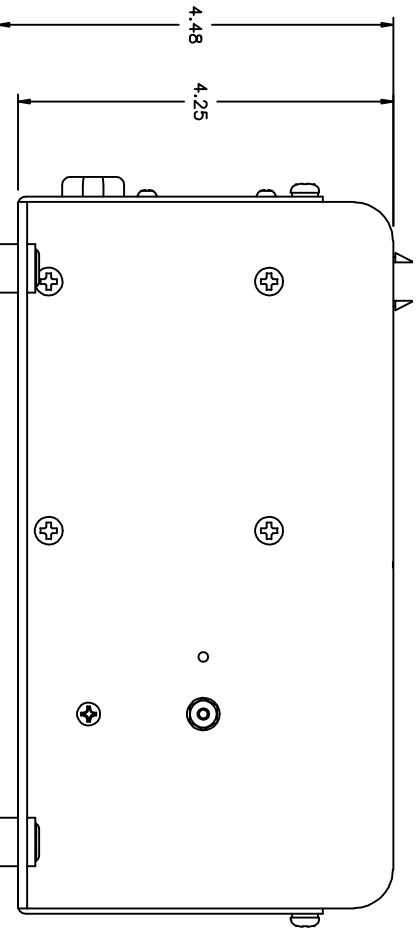
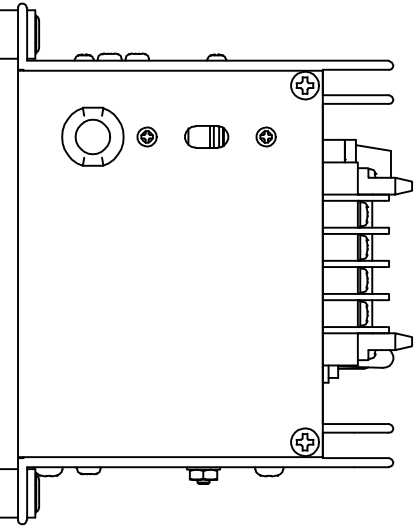
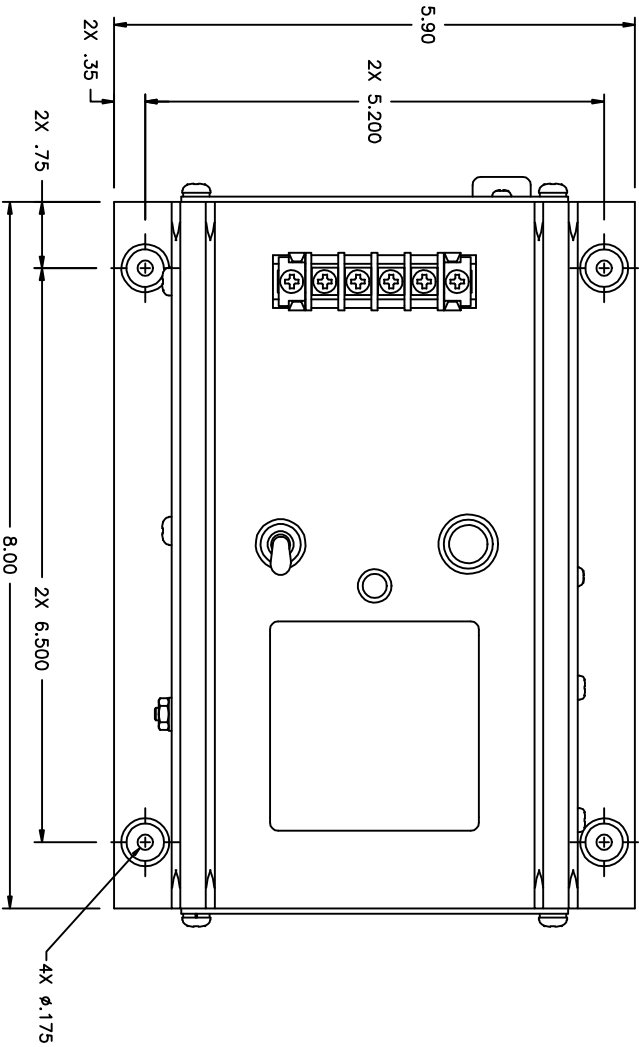
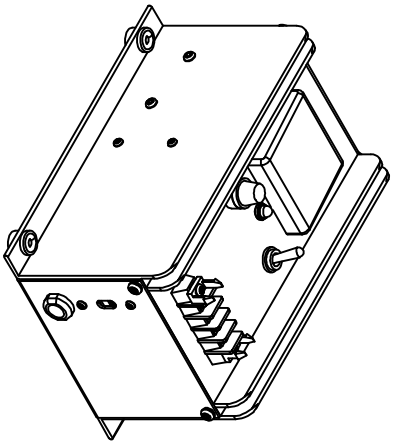


THIS DOCUMENT AND THE INFORMATION CONTAINED HEREIN ARE UNCLASSIFIED UNLESS INDICATED OTHERWISE AND SHALL NOT BE USED OR DISCLOSED TO OTHERS, IN WHOLE OR IN PART, WITHOUT THE WRITTEN AUTHORIZATION OF NEWAIR CORPORATION.



SCALE: 3/4
 P/N OM 15365-0
 September 23 10y 1:53pm

NEWAIR	
OUTLINE AND MOUNTING	
15-81 BATT CHGR	
AGE (PN 440-0620-1)	
SCALE SIZE DRAWING NO. REV.	
NOTED B 15365-0 NC	