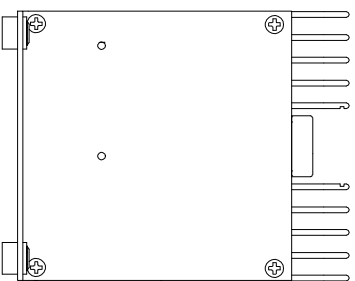
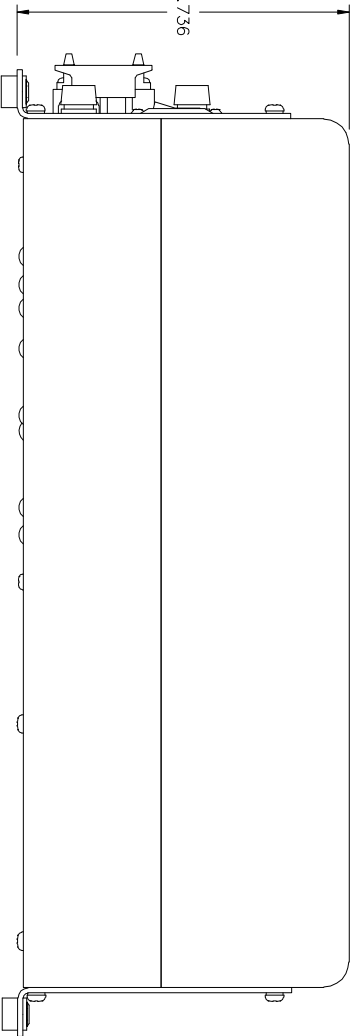
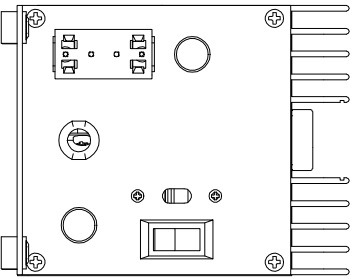
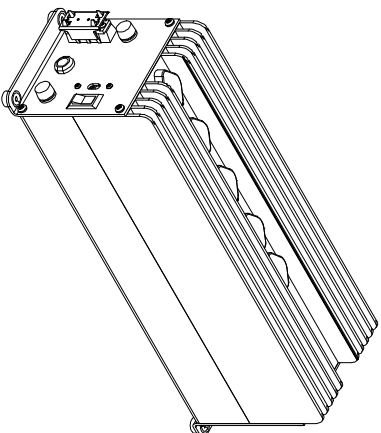
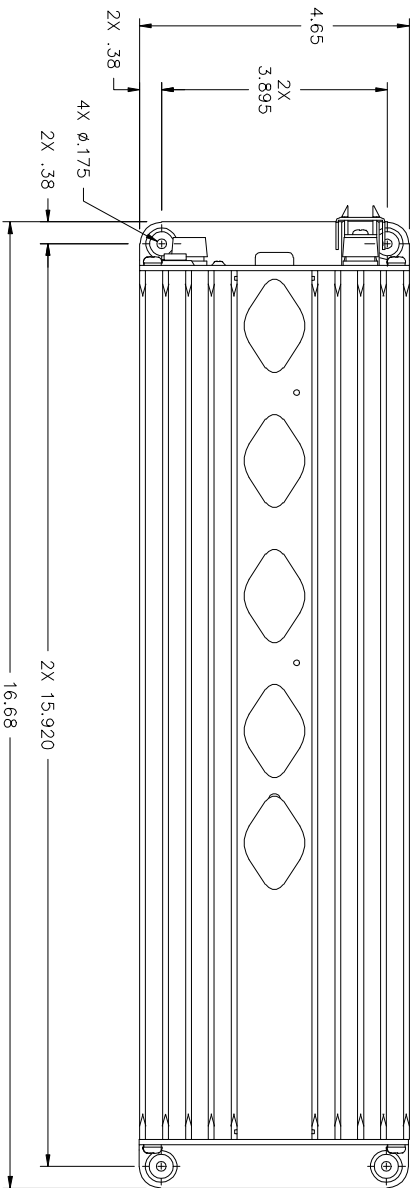


THIS DOCUMENT AND THE INFORMATION CONTAINED HEREIN IS UNCLASSIFIED EXCEPT WHERE SHOWN OTHERWISE AND SHALL NOT BE USED OR DISCLOSED TO OTHERS, IN WHOLE OR IN PART, WITHOUT THE WRITTEN AUTHORIZATION OF THE ISSUING AGENCY.



OUTLINE AND MOUNTING

SCALE: 1/2

P/N: OM 12119-0

<b>NEWARK</b>	
OUTLINE AND MOUNTING	
12119-0 PWR SUPPLY	
(P/N 400-2115-0)	
SCALE	SIZE
NOTED	B
REV	12119-0
REV	NC