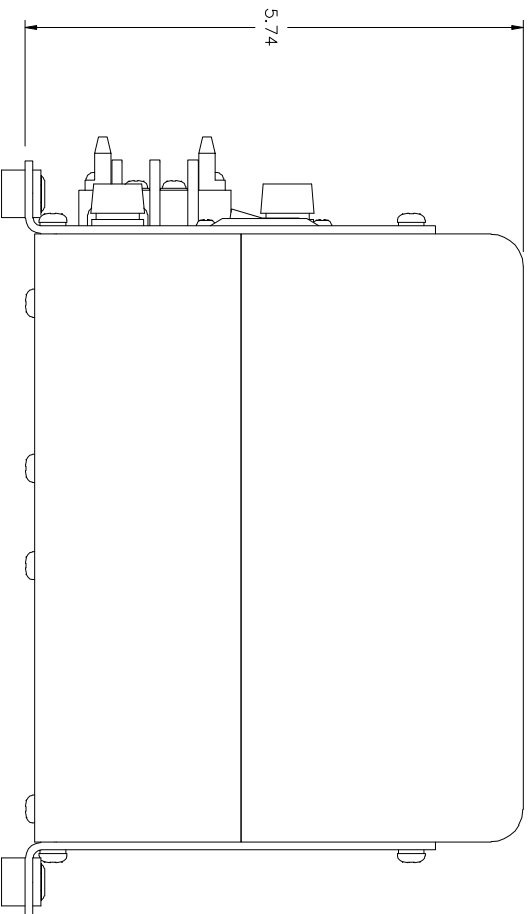
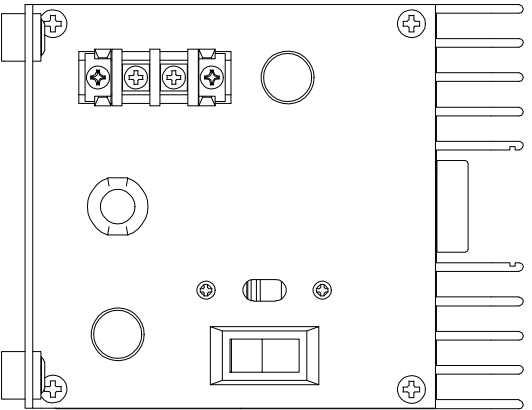
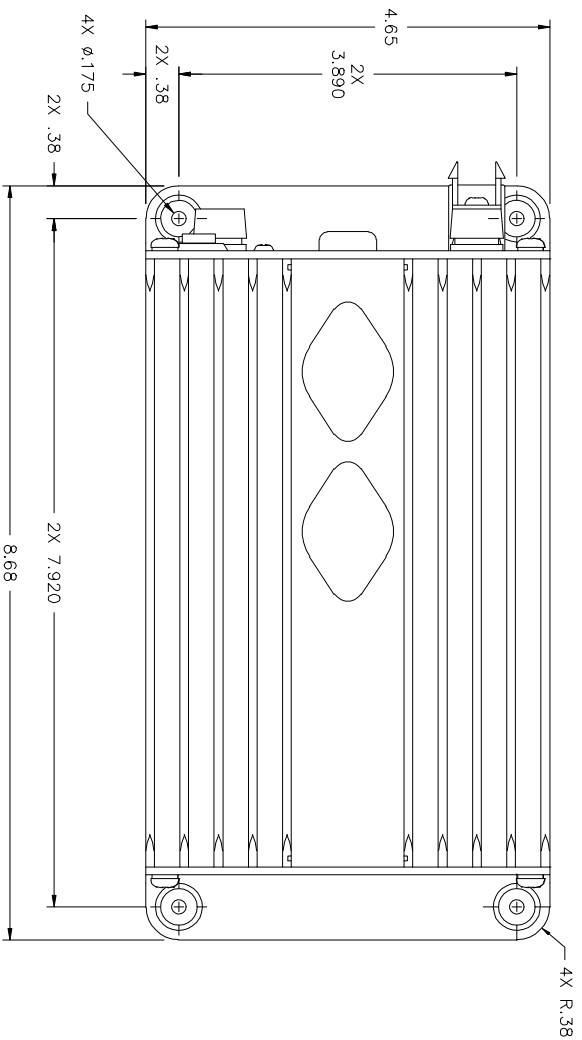
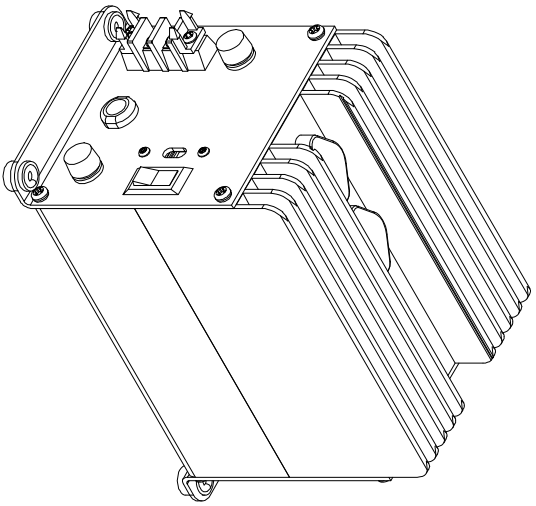


THIS DOCUMENT AND THE INFORMATION CONTAINED HEREIN IS UNCLASSIFIED EXCEPT WHERE SHOWN OTHERWISE AND SHALL NOT BE USED OR DISCLOSED TO OTHERS IN WHOLE OR IN PART WITHOUT THE WRITTEN AUTHORIZATION OF NEWMAR CORPORATION.



SCALE: 3/4
August 11 10y 8:45am

NEWMAR	
OUTLINE AND EQUIPMENT	
115-1116-POWER SUPPLY	
(P/N 400-0125-0)	
SCALE SIZE	DRAWING NO.
NOTED B	15289-01NC