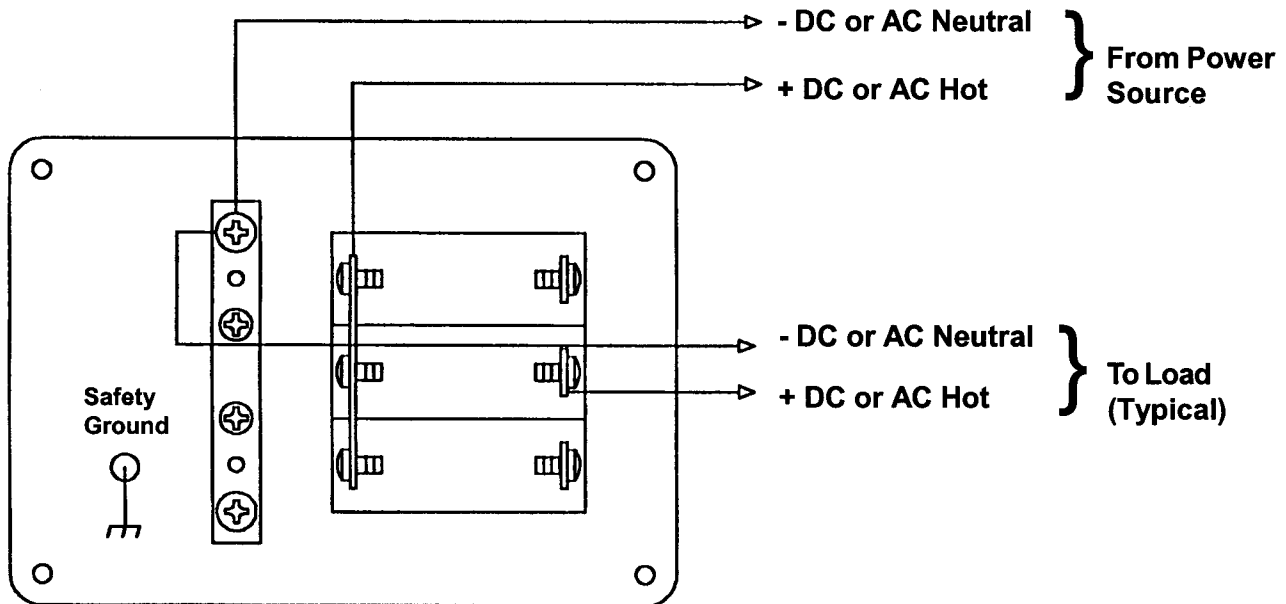


## ACCY-II, ACCY-IIB

### Wiring Diagram and Installation Notes



#### IMPORTANT INSTALLATION NOTES

1. This panel may be used for AC or DC but not both. Mixing voltages will result in damage to the panel and/or powered equipment.
2. If used in an AC application, please note: 40 and 50 amp breakers are rated to a maximum of 120 VAC line-to-neutral or 240 VAC line-to-line. They are not rated for 240 VAC line-to-neutral systems.
3. The maximum current capacity of the installed bus bar is 50 amps.
4. See the reverse of this sheet for important information regarding panel wiring to conform to USCG regulations and ABYC standards.

D-ACCY-IIA  
As of AUG 2001

# NEWMAR®

**U.S.A. HEADQUARTERS**  
P.O. Box 1306, Newport Beach, CA 92663  
Phone: 714-751-0488 Fax: 714-957-1621  
E-Mail: sales@newmarpower.com

**ELECTRONIC POWER PRODUCTS**  
COMMUNICATION • NAVIGATION  
[www.newmarpower.com](http://www.newmarpower.com)

**EURO WAREHOUSE**  
Phone: +31-35-603-2494 Fax: +31-35-603-2149  
E-Mail: sales@newmarpower.com