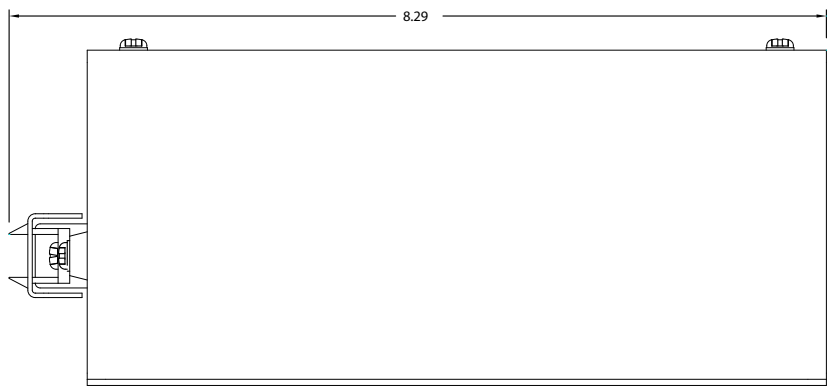
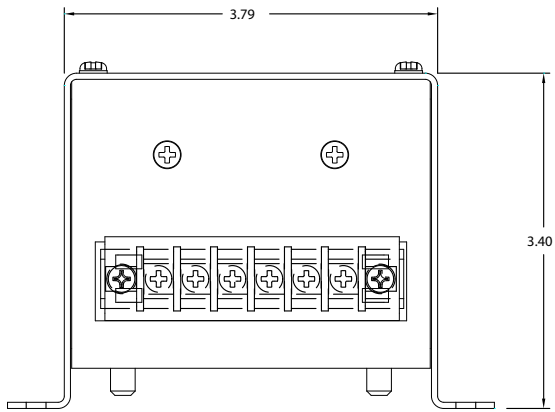
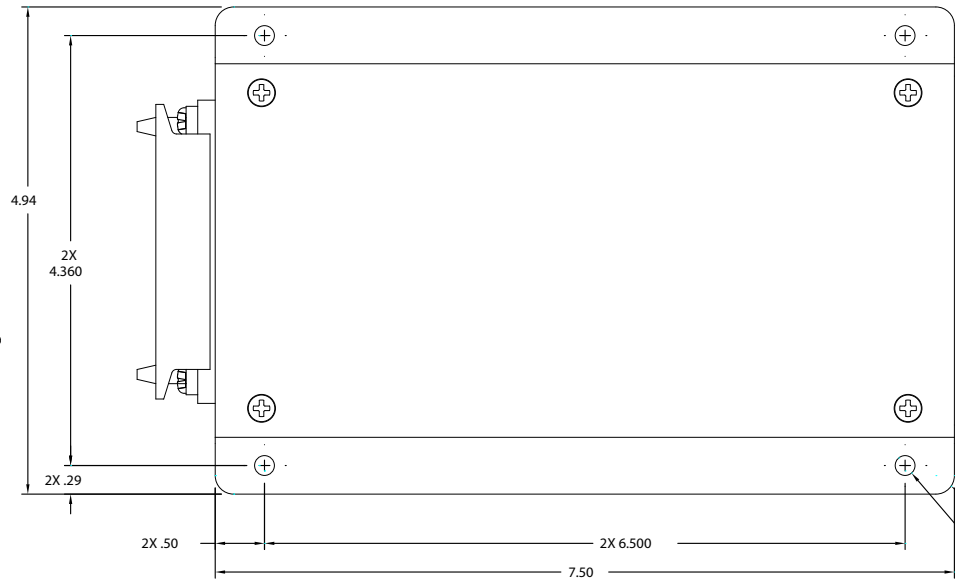
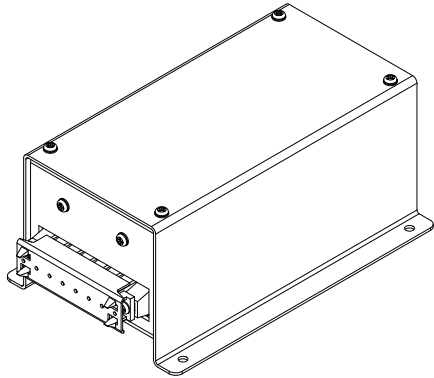


THIS DOCUMENT AND THE INFORMATION CONTAINED
 HEREIN IS PROPRIETARY TO NEWMAR CORPORATION
 AND SHALL NOT BE USED OR DISCLOSED TO OTHERS,
 IN WHOLE OR IN PART, WITHOUT THE WRITTEN
 AUTHORIZATION OF NEWMAR CORPORATION.



OUTLINE & MOUNTING
 SCALE: 1/1

NEWMAR			
OUTLINE AND MOUNTING, (PN 425-3222-0)			
NS 12-20 START GUARD			
SCALE AS NOTED	SIZE B	DRAWING NO. 15495-0	REV. NC
SHEET 1 OF 1			