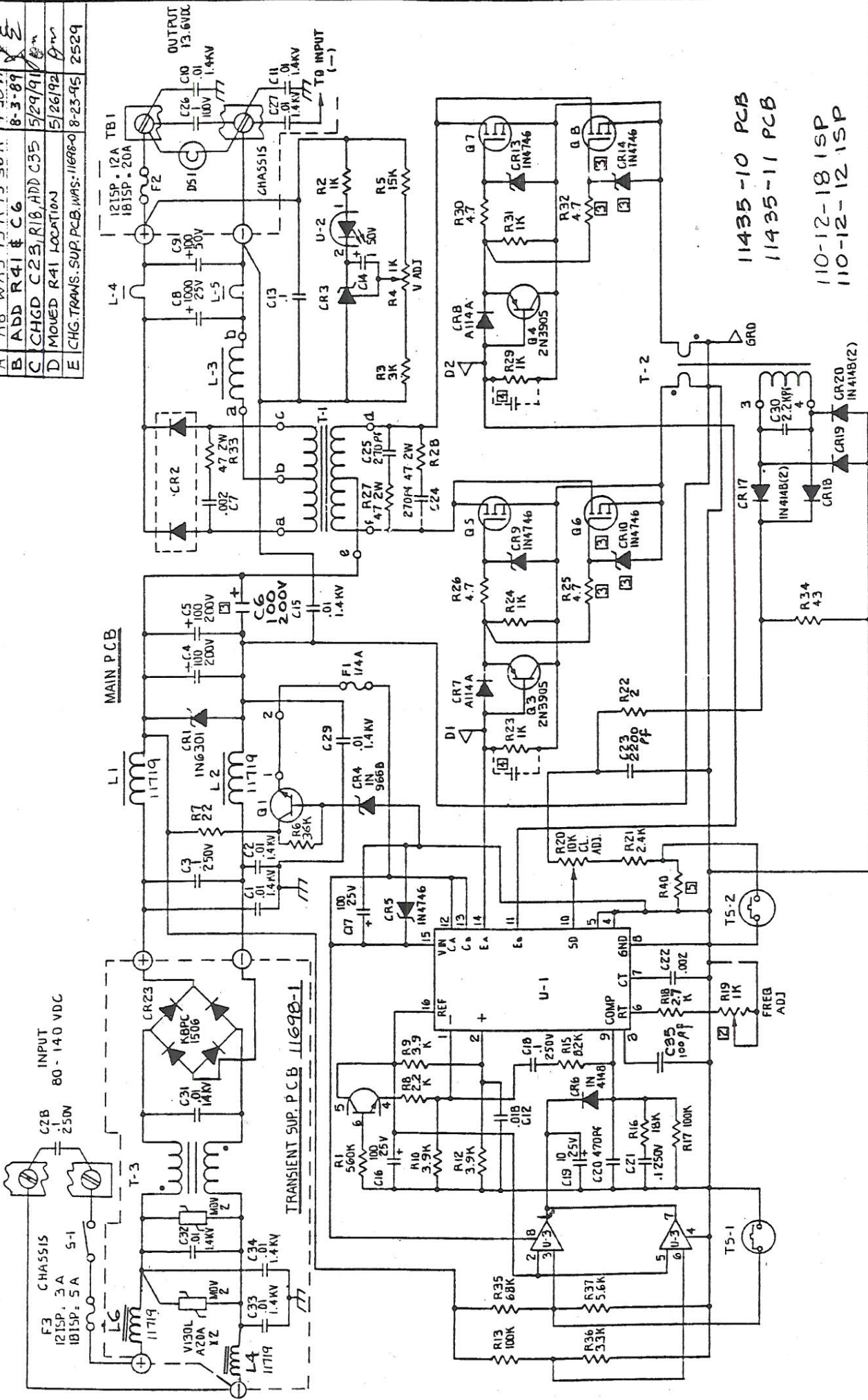


REVISIONS

LTR	DESCRIPTION	DATE	APPROVED
A	R6 WAS 15 KTS 36K	4-20-87	E
B	ADD R41 & C6	8-3-89	E
C	CHGD C23, R18, ADD C35	5/29/91	E
D	MOVED R41 LOCATION	5/26/92	Ann
E	CHG. TRANS. SUP. PCB. WAS: 11698-0	8-23-95	2529



11435-10 PCB
11435-11 PCB
110-12-18 1SP
110-12-12 1SP

No Schematics for
Model: 110-12-18 1SP
SCH 11801-E

NEWMAR NEWPORT BEACH, CA.	
SCHEMATIC 110 V ISOLATED S.P.	
SCALE	REV. E C
CHECKED	DATE
9 E	4-25-95
DRAWN	BY
ALHMM	7-1-86
APPROVED	DATE
CA18	8-3-89
FUNCTIONS SPECIFIED	ANALOG
DO NOT SCALE DRAWING	SHEET
11801	

- 10K FOR 18 AMP, 30K FOR 12 AMP
 - 100-470PF AS REQUIRED IN TEST
 - NOT USED ON 110-12-18 1SP
 - ADJUST FOR 14.2ms SEC PERIOD ON D1
- ALL CAPACITORS ARE IN MFD(μF)
ALL RESISTORS ARE IN OHM(Ω) UNLESS OTHERWISE SPECIFIED