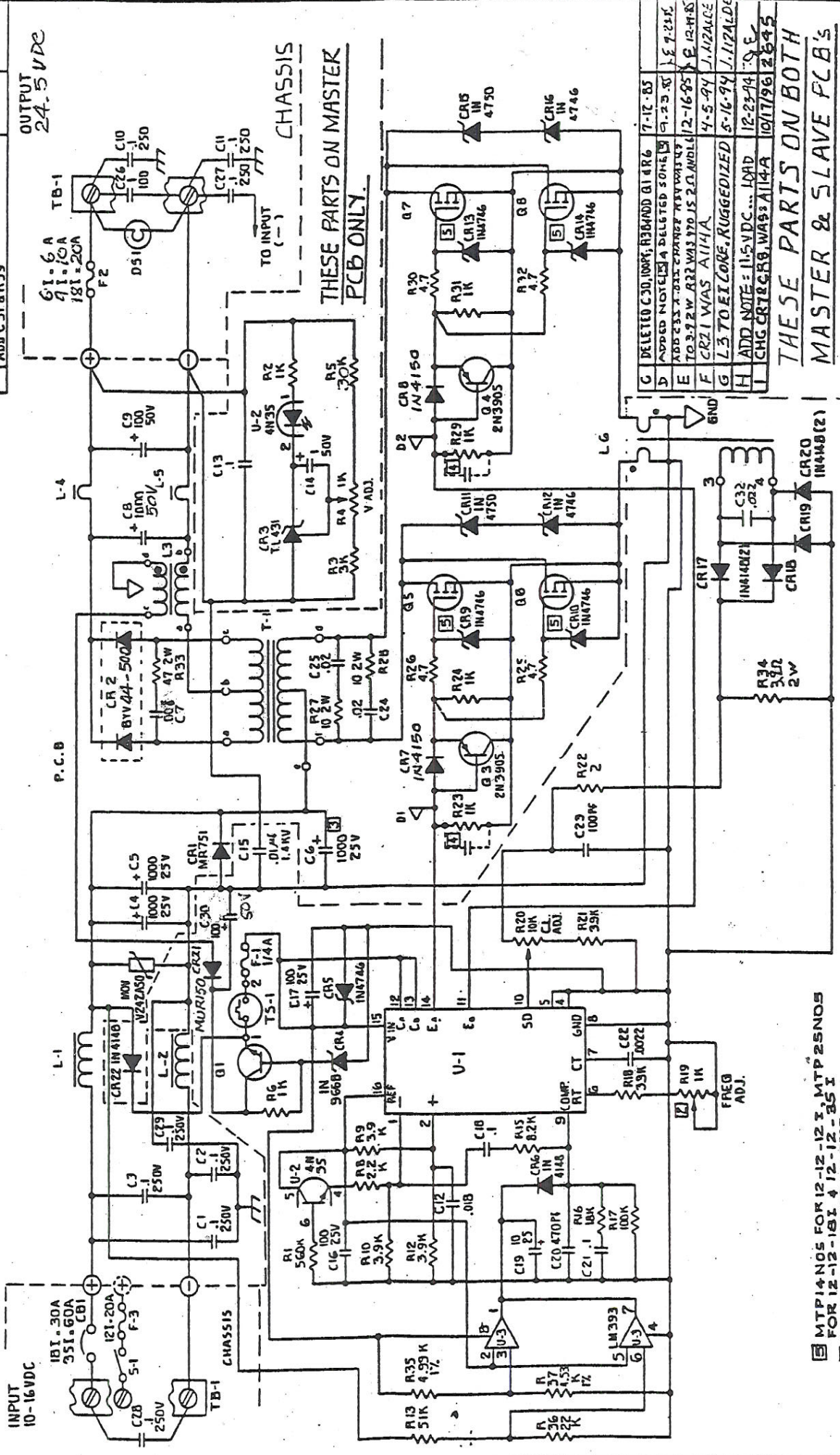


12-24

NOTE: 11.5 VDC MIN. START-UP VOLTAGE, THEN OPERATES @ 10-16 VDC FROM 1 AMP MIN. TO FULL LOAD.



THESE PARTS ON MASTER PCB ONLY

-12-24-6I
12-24-9I
12-24-18I

No Schematics for
Model: 12-24-6I
SCH 14662-0

- Ⓜ MTP14N05 FOR 12-12-12 I, MTP25N05 FOR 12-12-18I & 12-12-25 I
- Ⓜ 100-470K AS REQUIRED IN TEST
- 551 USES ONE MASTER & ONE SLAVE P.C.B
- Ⓜ - 01 & 02 FOR GATE DRIVE FROM MASTER TO SLAVE P.C.B
- Ⓜ NOT USED ON 12-12-12I
- Ⓜ ADJUST FOR 14.2 μSEC PERIOD ON D1

ALL CAPACITORS ARE IN MFD (μF)
ALL RESISTORS ARE IN OHM (Ω) UNLESS OTHERWISE SPECIFIED

REV	DESCRIPTION	DATE	APPROVED
A	ADDED 5-1	4-29-85	
B	REDESIGN PART OF CIRCUIT RELATED TO 10KΩ (R13) & ADD R13 (REMOVED) R35 R36 R37 R38 U-3 DELETED NOTE 10... ADD C31 & R39	4-29-85	

REV	DESCRIPTION	DATE	APPROVED
C	DELETED C30, 100PF, REBADD Q1 4R6	7-12-83	
D	ADDED NOTE 10, A DELETED SOME	9-23-85	
E	ADD 255 2-001 CHANGE NEW PARTS TO 3-2W R32 WAS 15 Ω, DOUBLE	12-16-85	
F	CR21 WAS A114A	4-5-94	
G	L3 TO E1 CORE, RUGGEDIZED	5-16-94	
H	ADD NOTE: 11.5VDC... LOAD	12-23-94	
I	CHG CR18 CR9, WAS A114-A	10/17/96	

OUTPUT 24.5 VDC

TO INPUT (-)

CHASSIS

THESE PARTS ON MASTER PCB ONLY

THESE PARTS ON BOTH MASTER & SLAVE PCB'S

REV	DESCRIPTION	DATE	APPROVED
A	NEW MAR 12V15 ISOLATED	3-6-85	
B	NEW MAR 12V15 ISOLATED	3-6-85	
C	NEW MAR 12V15 ISOLATED	3-6-85	
D	NEW MAR 12V15 ISOLATED	3-6-85	
E	NEW MAR 12V15 ISOLATED	3-6-85	
F	NEW MAR 12V15 ISOLATED	3-6-85	
G	NEW MAR 12V15 ISOLATED	3-6-85	
H	NEW MAR 12V15 ISOLATED	3-6-85	
I	NEW MAR 12V15 ISOLATED	3-6-85	