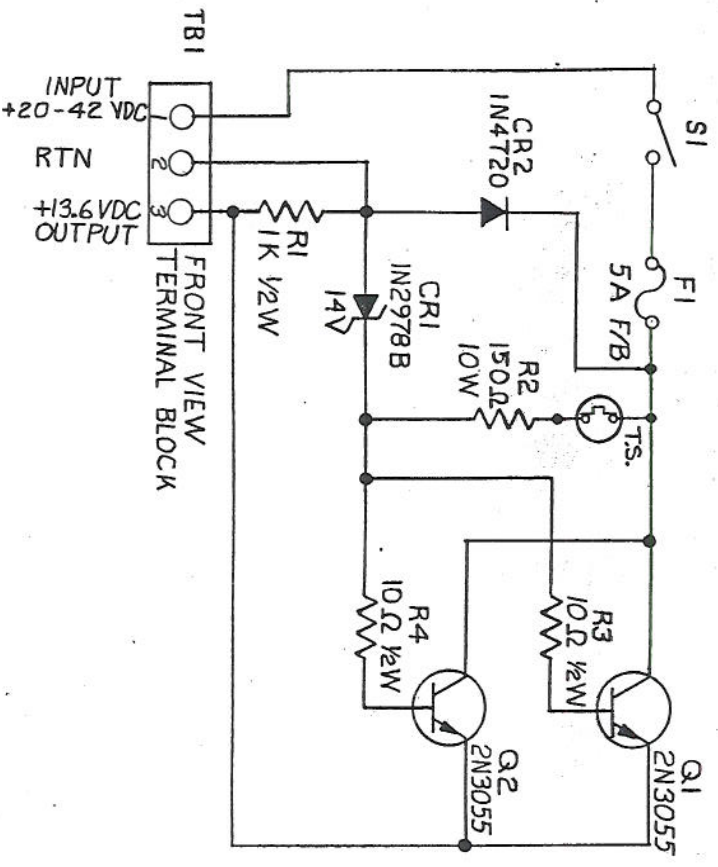


REVISIONS			
LTR	DESCRIPTION	BY	APP'D
A	REDRAWN WAS 3601	9/4/87	DK
B	INPUT WAS 30-50VDC IS 20-42VDC	2.11.83	BY
C	ADDED T.S.	8/6/91	



4. CURRENT: 3AMPS CONTINUOUS WITH INPUTS TO 42VDC, SURGES TO 50 VDC.
 3. RTN IS FOR INPUT & OUTPUT.
 2. PROVIDE ADEQUATE VENTILATION.
 1. MOUNT VERTICALLY FOR FULL CONTINUOUS DUTY 3 AMP OPERATION.

NOTES:

No Schematics for
 Model: 32-12-3
 SCH 10196-C

NEWMAR	
NEWPORT MARINE ENGINEERING	
SCALE: _____	APPROVED BY: DAVE WEBER
DATE: 4-29-78	DRAWN BY: D. JOHNSON
SCHEMATIC - REGULATOR	
MODEL: 32-12-3A	SIZE: B
	DRAWING NUMBER: 10196
	REV: C