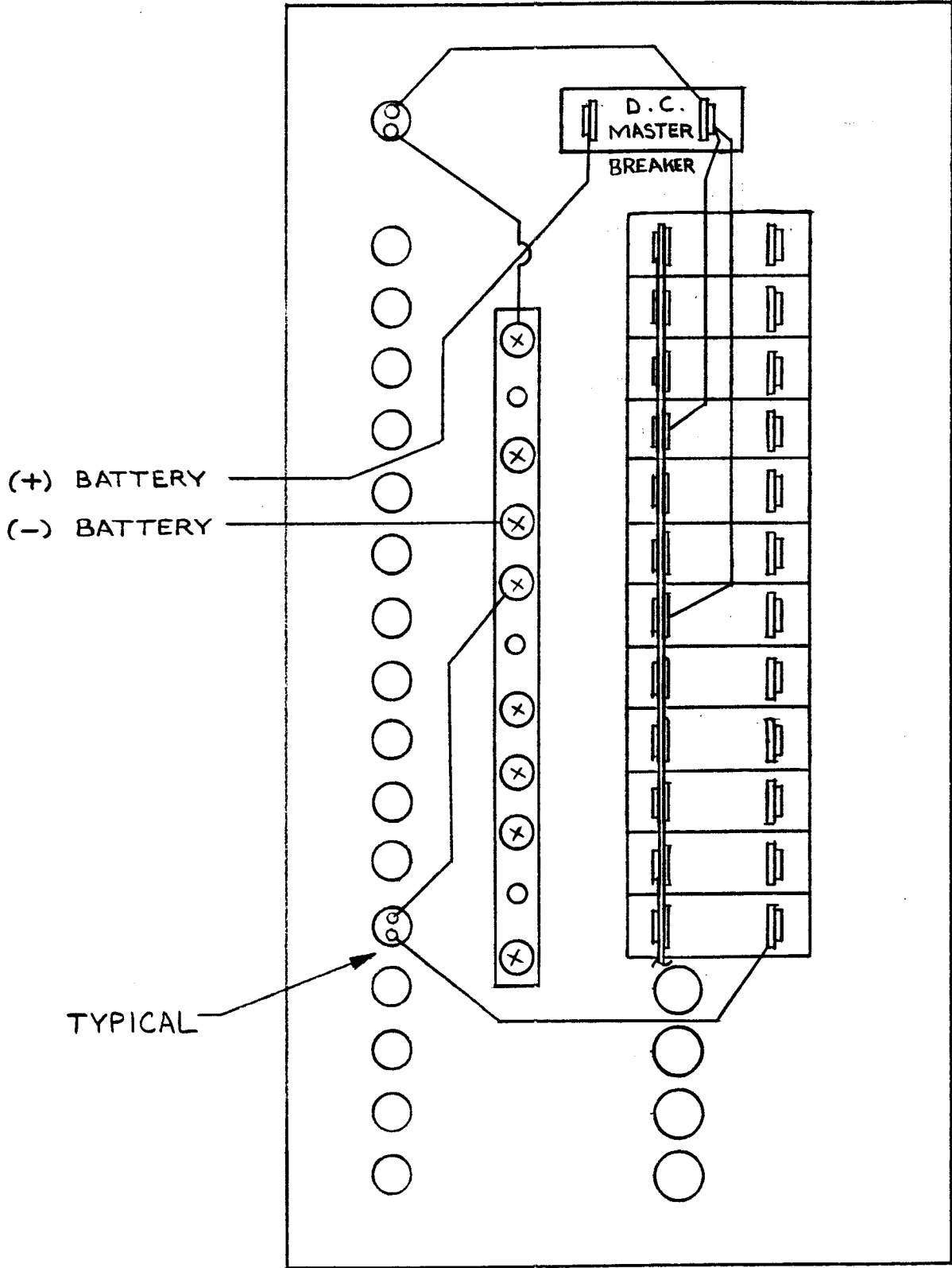


ES-7 DC



D02010710B

9-13-94
8-25-89