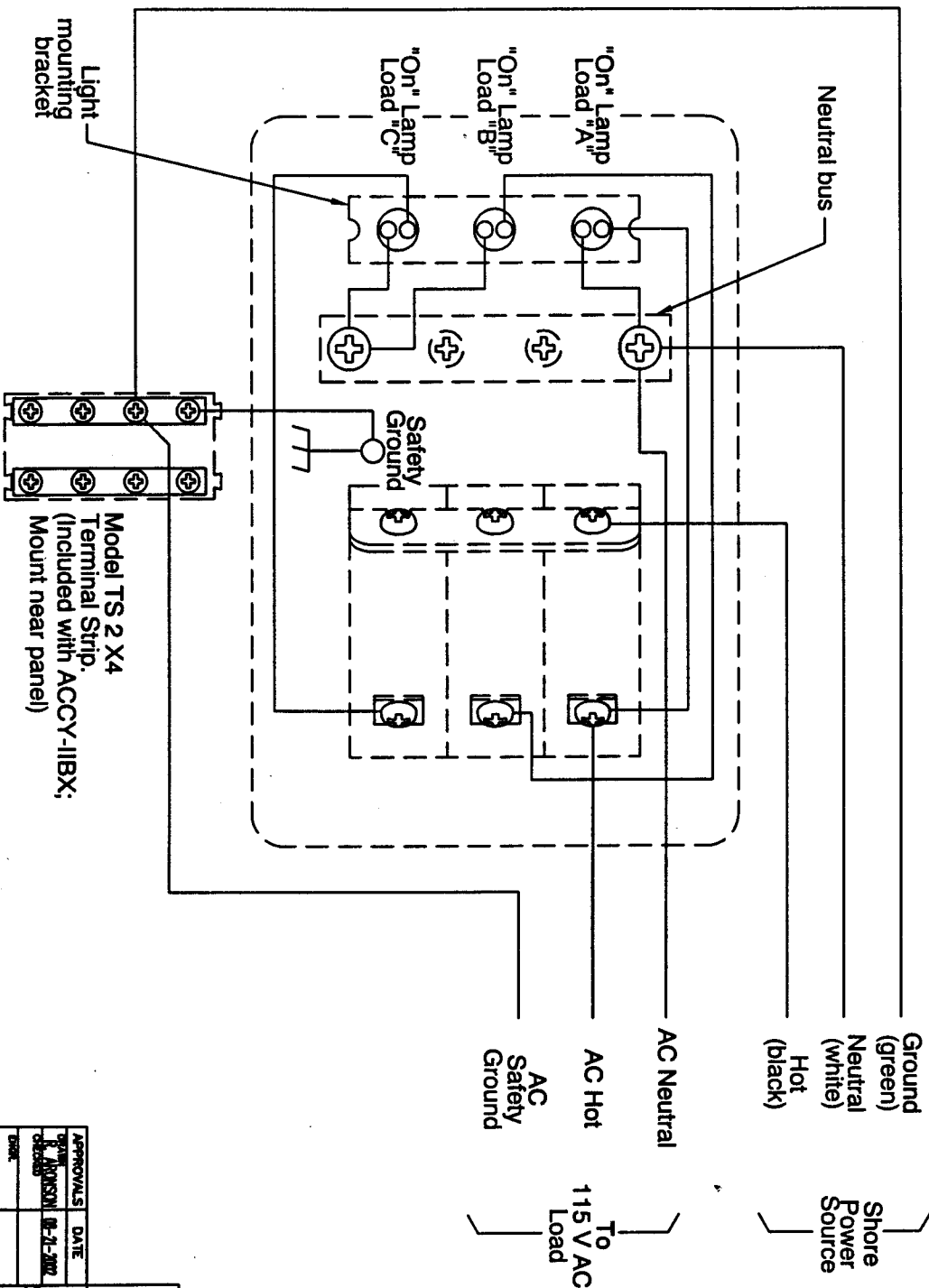


AC WIRING DIAGRAM

REVISIONS		DATE	APPROVED
REV	DESCRIPTION		
NC	INITIAL RELEASE	10-16-02	

IMPORTANT INSTALLATION NOTES

1. In an AC application, 40 and 50 Ampere circuit breakers are rated to a maximum of 120 V AC line-to-neutral or 240 V AC line-to-line. They are not rated for 240 V AC line-to-neutral systems.
2. The maximum current capacity of the installed bus bar is 50 amps.
3. See the reverse of this sheet for important information regarding panel wiring to conform to USCG regulations and ABYC standards.
4. Shore power source must originate from a double pole circuit breaker. See ABYC, E-8.



NEWMAR
 2911 W. GARRY AVE. SMTA AKA, CA. 92704
 TEL 714-751-0488 FAX 714-957-1621

APPROVALS DATE
 DRAWN BY: [Signature] 10-1-02
 CHECKED BY: [Signature]
 SCALE SIZE DRAWING NO. REV.
 NONE A 14358-4 NC

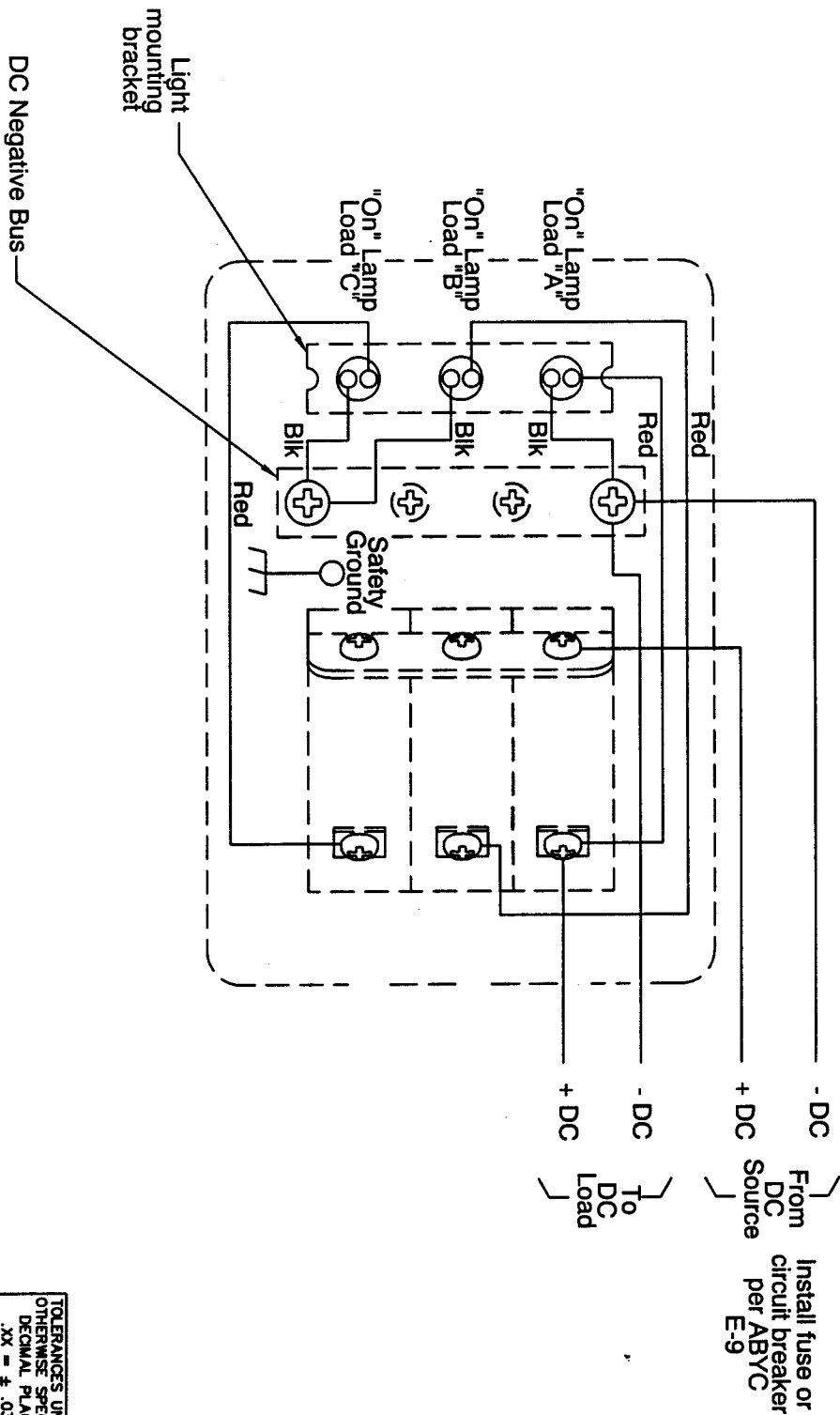
WIRING DIAG. & NOTES FOR AC APPLICATION OF ACCY-1IBX ACCESSORY PANEL

DC WIRING DIAGRAM

REVISIONS		DATE	APPROVED
REV	DESCRIPTION		
NC	INITIAL RELEASE	10-16-02	

IMPORTANT INSTALLATION NOTES

1. This panel is designed for 12 or 24 VDC. Mixing voltages will result in damage to the panel and/or provided equipment.
2. The maximum current capacity of the installed bus bar is 50 amps.
3. See the reverse of this sheet for important information regarding panel wiring to conform to USCG regulations and ABYC standards.



TOLERANCES UNLESS OTHERWISE SPECIFIED		NEWMAR	
DECIMAL PLACES		2911 W. GARRY AVE. SANTA ANA, CA 92704	
.XX	= ± .03	TEL 714-751-0468 FAX 714-957-1621	
.XXX	= ± .010	WIRING DIAG. FOR DC APPLICATION OF ACCY-11X & ACCY-11BX ACCESSORY PANELS	
APPROVALS	DATE	SCALE	SIZE
DRG	08-26-002	NONE	A
DRAWN		DRAWING NO.	REV.
		14358-2	NC