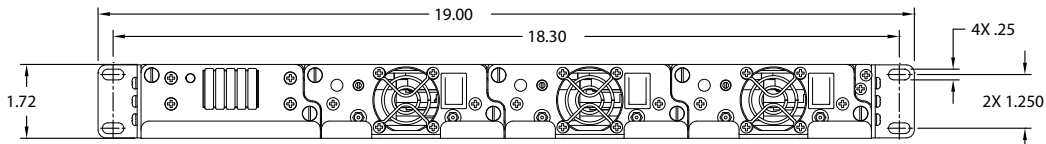
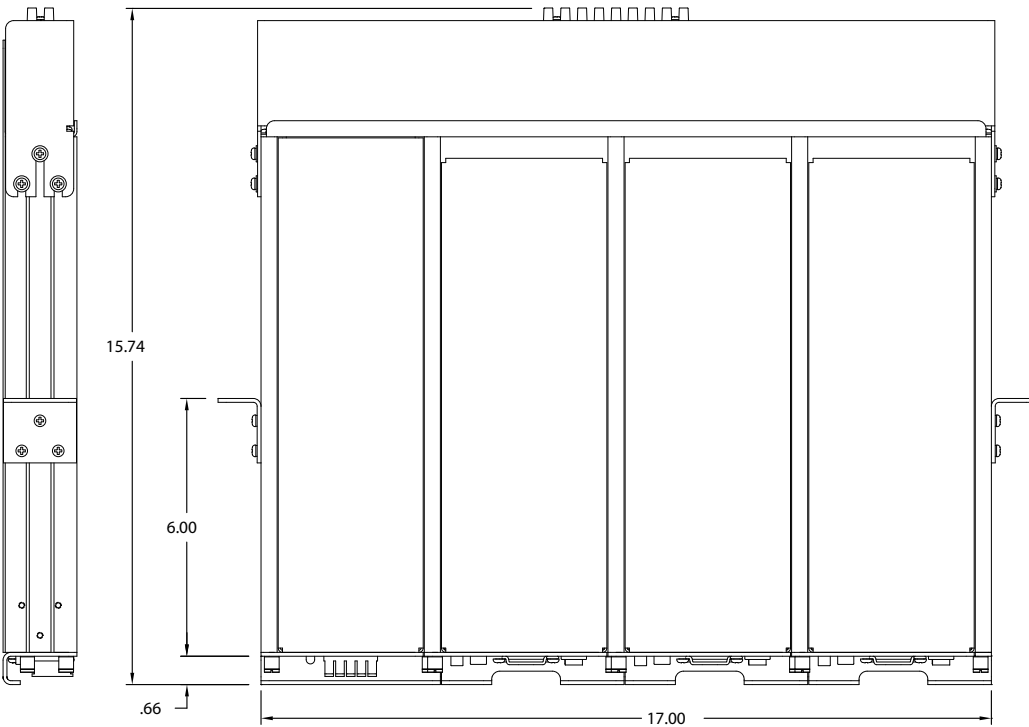
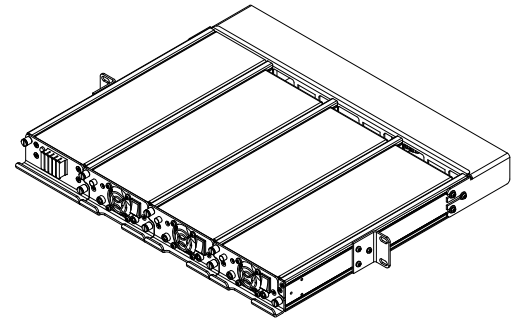
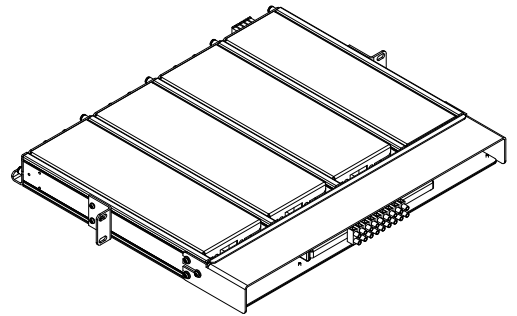


REVISIONS			
REV	DESCRIPTION	DATE	APPROVED
NC	INITIAL RELEASE	XX-XX-XX	

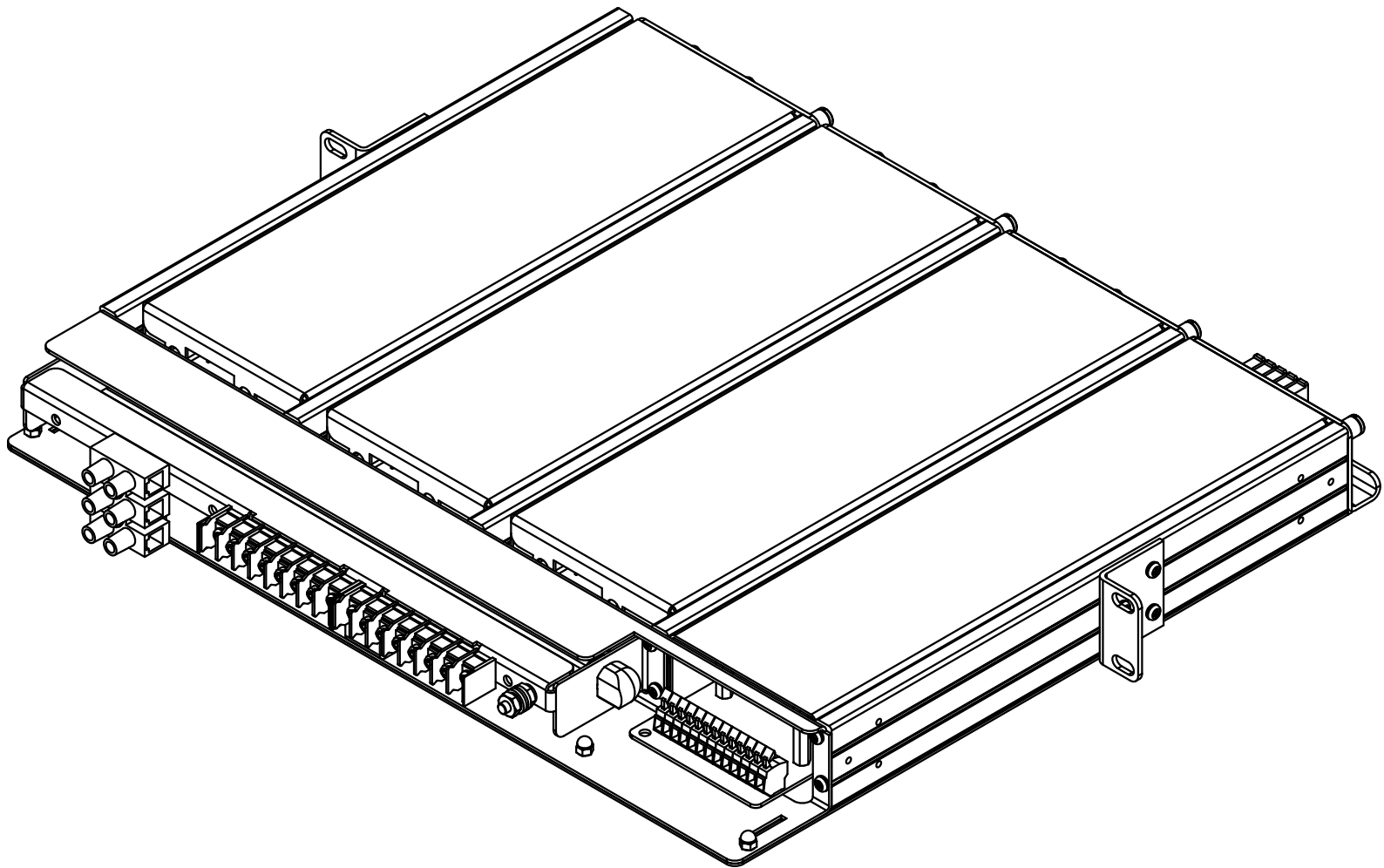


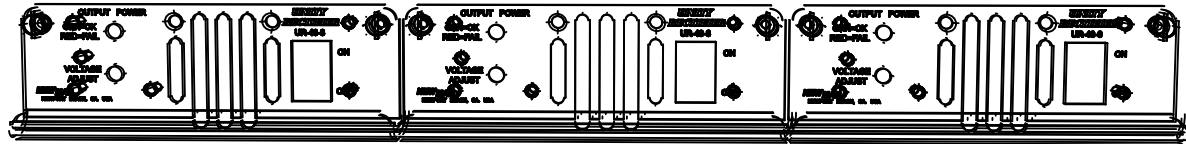
November 13 02:11:11am

APPROVALS		DATE	NEW MAR	
T. WILSON		10/01/02	2911 W. GARRY AVE. SANTA ANA, CA 92704	
			TEL: 714-951-9488 FAX: 714-951-1821	
SCALE			OUTLINE AND MOUNTING, UNITY RECTIFIER SYSTEM	
NONE			SIZE	REV
			B	14257-0
			DRAWING NO.	
			SHEET 1 OF 1	
			NC	

ELECTRONIC MEDIA: ACAD 2000

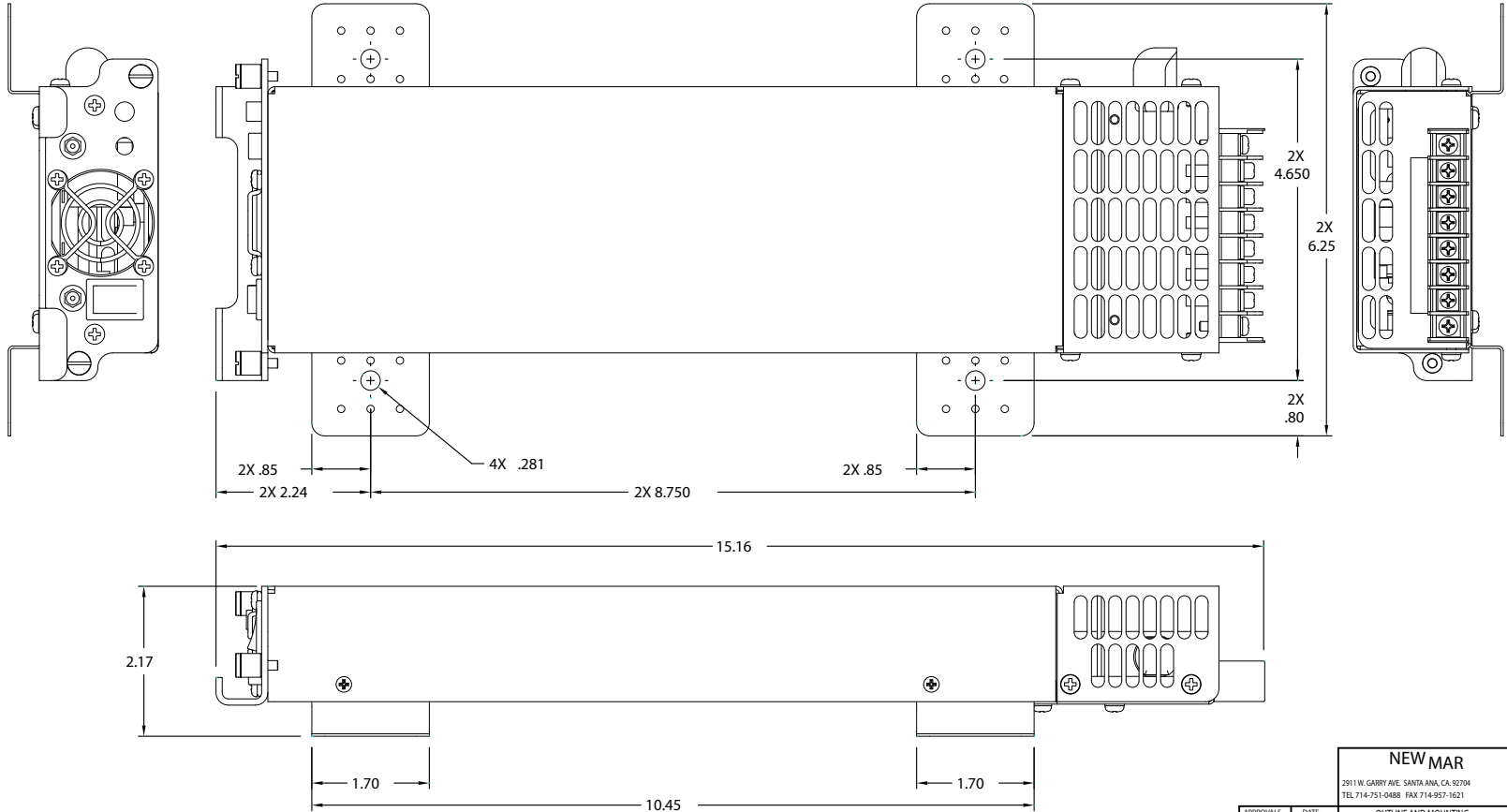
14257-0N1.DWG





THIS DOCUMENT AND THE INFORMATION CONTAINED THEREIN IS PROPRIETARY TO NEWMAR CORPORATION AND SHALL NOT BE USED OR DISCLOSED TO OTHERS, IN WHOLE OR IN PART, WITHOUT THE WRITTEN AUTHORIZATION OF NEWMAR CORPORATION.

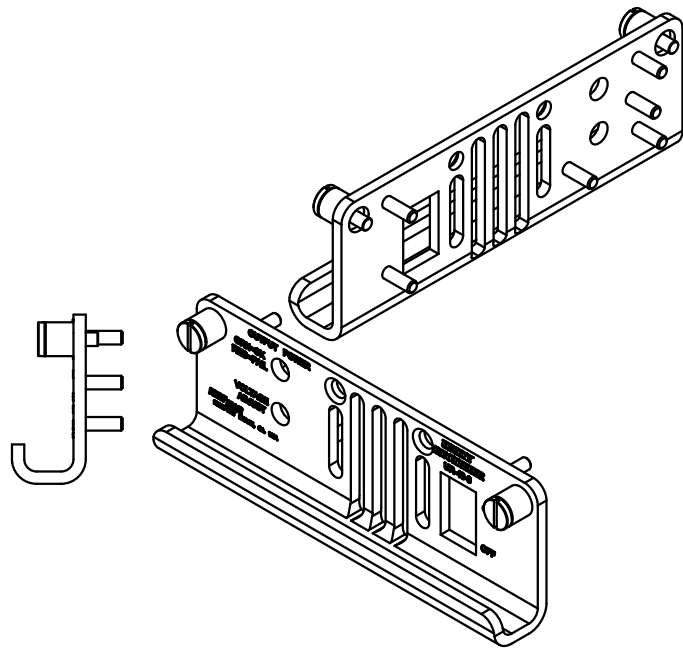
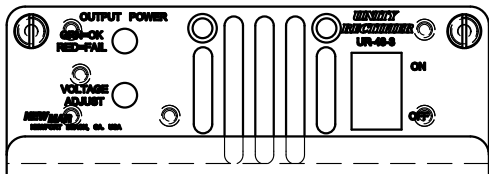
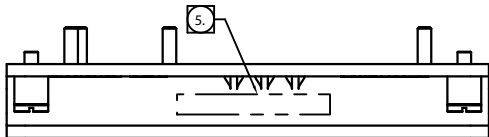
REVISIONS			
REV	DESCRIPTION	DATE	APPROVED
NC	INITIAL RELEASE	10-01-03	
NC	REV PN 699-4462-0	11-20-03	ECO 2911



NEWMAR
 3911 W. GARRI AVE. SANTA ANA, CA 92704
 TEL 714-751-0488 FAX 714-957-1621

REF	MODEL	PART No.	APPROVALS	DATE
USAR48-3	445-4354-0		T. BRINSON	10/01/2003
USAR24-6	445-4354-1			
NEXT ASSEMBLY				
November 25 2003 10:01am				

OUTLINE AND MOUNTING USAR24-6 AND USAR48-3 STAND ALONE UNITY RECTIFIERS			
SCALE	SIZE	DRAWING NO.	REV.
N/A	B	14466-0	NC
SHEET 1 OF 1			



REVISIONS			
REV	DESCRIPTION	DATE	APPROVED
NC	INITIAL RELEASE	XX-XX-XX	

May 20 02y 4:21pm

TOLERANCES UNLESS OTHERWISE SPECIFIED DECIMAL PLACES -XXX = + .05 -XXX = - .05		NEWMAR 2911 W. GARRY AVE. SANTA ANA, CA 92704 TEL 714-751-0488 FAX 714-957-1621	
APPROVALS		DATE	
S. REYNOLSON		10.05.02	
1	HSPM	445-4254-0	
REV	MODEL	PART NO.	DATE
REV	NEW ASSEMBLY		
	APPLICATION		
SCALE		TEXT	
1/1		HOT SWAP POWER MODULE	
& NOTED		B PNL_UR48	
		SHEET 1 OF 1	