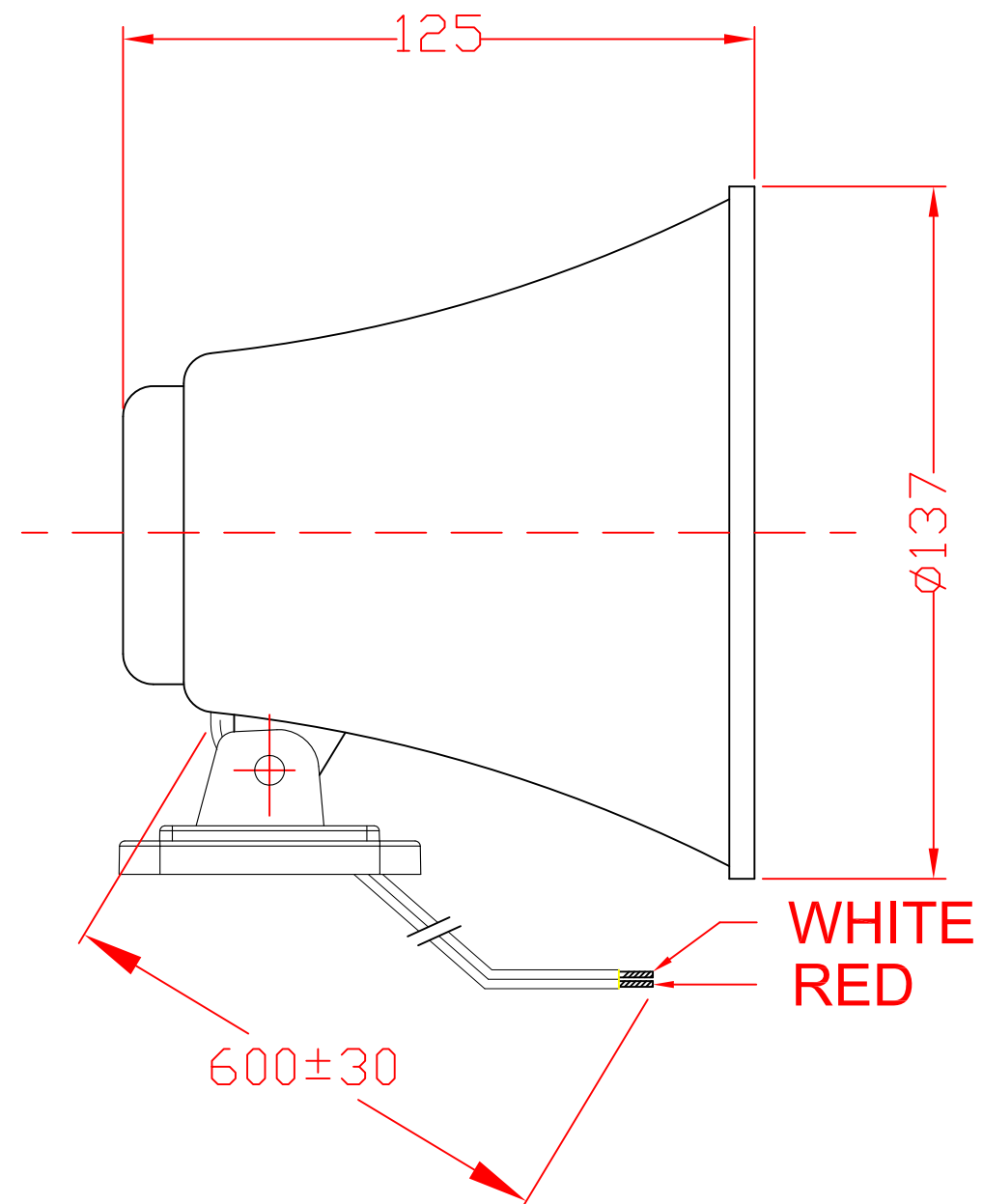
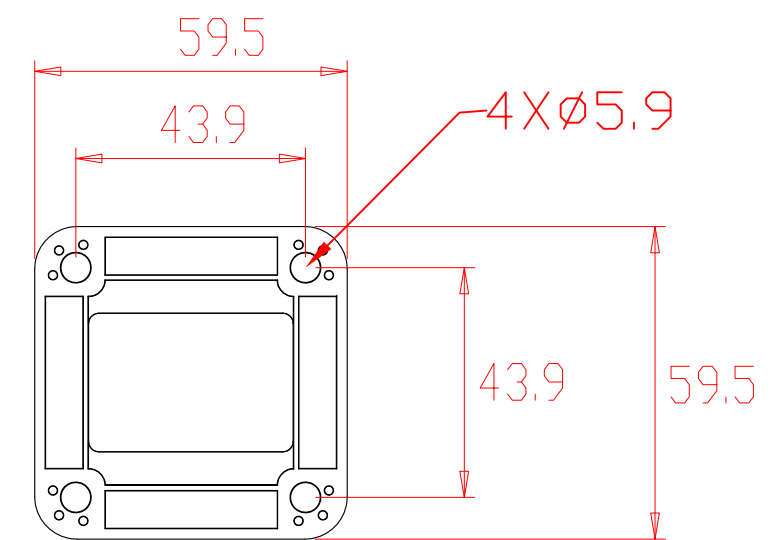


This document and the information contained therein is proprietary to NEWMAR & shall not be used or disclosed to others, in whole or in part, without the written permission of NEWMAR

REVISIONS			
Rev.	Description	Originator	Date
1	Release For Approval	James	06/30/2008



Bracket Feet Pattern



P/N. 144-0666-0

TOLERANCES UNLESS OTHERWISE SPECIFIED DECIMAL PLACES .X = .1 .XX = .05 .XXX = .010	NEWMAR			
	Tel: 714-751-0488 Fax: 714-957-1621 Email: techservice@newmarpower.com			
Drawn James 06/30/2008	Title: PA-8W DECK HORN			Size A4
Checked Jack 06/30/2008	Third Angle 	Sheet of 1 / 1	Unit mm	Scale No Scale
Approved Johnson 06/30/2008	Steed P/N. DH-8	DWG No. DH-8	Rev. Ori.	
Address D:\AutoCad\				

Item	Used On	Description	Material	Qty.	Date
1	PA-8W	PA-8W DECK HORN	ABS PLASTIC	1	06/30/08

APPLICATIONS