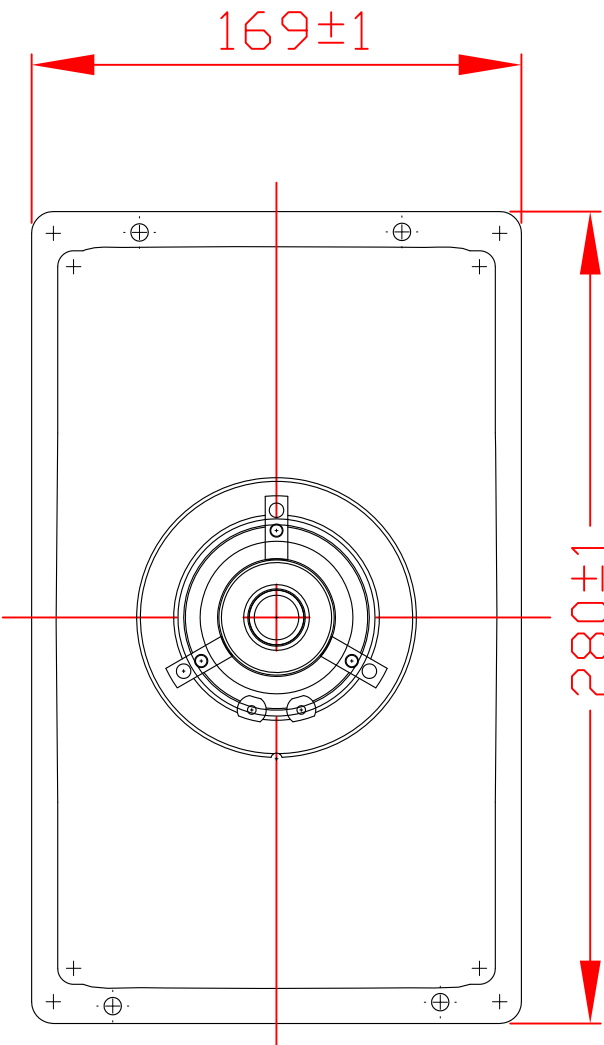
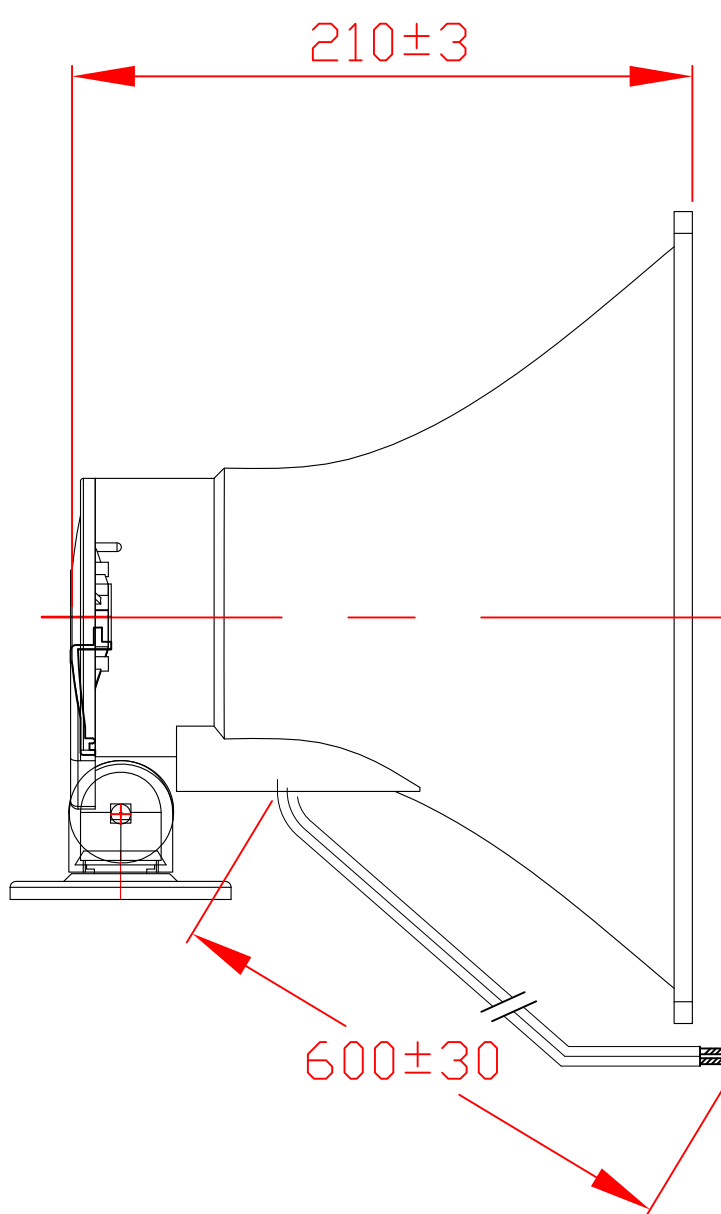


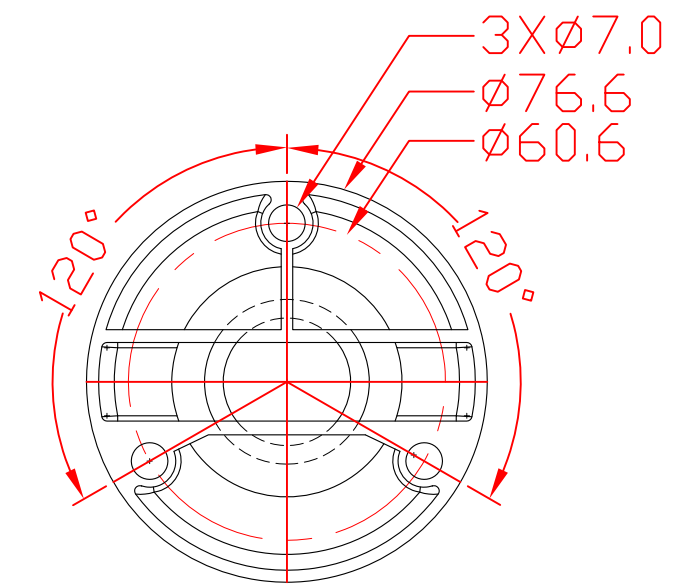
This document and the information contained therein is proprietary to NEWMAR & shall not be used or disclosed to others, in whole or in part, without the written permission of NEWMAR

REVISIONS

Rev.	Description	Originator	Date
Ori.	Release For Approval	James	06/26/2008



Bracket Feet Pattern



P/N. 144-6030-0

TOLERANCES UNLESS OTHERWISE SPECIFIED
DECIMAL PLACES
.X = .1
.XX = .05
.XXX = .010

NEWMAR
Tel: 714-751-0488 Fax: 714-957-1621 Email: techservice@newmarpower.com

Title: **PA-40/30 DECK HORN**

Third Angle	Sheet of 1 / 1	Unit mm	Scale No Scale	Size A4
Steed P/N. DH-4030	DWG No. DH-4030	Rev. Ori.		

Address D:\AutoCad\

Item	Used On	Description	Material	Qty.	Date
1	PA-40/30	PA-40/30 DECK HORN	ABS PLASTIC	1	06/26/08

APPLICATIONS

	10	9	8	7	6	5	4	3	2	1																																									
J	This document and the information contained therein is proprietary to NEWMAR & shall not be used or disclosed to others, in whole or in part, without the written permission of NEWMAR					REVISIONS						J																																							
I												<p>P/N. 144-6030-0</p>	<p>NEWMAR Tel: 714-751-0488 Fax: 714-957-1621 Email: techservice@newmarpower.com</p>	<p>Title: PA-40/30 DECK HORN</p>	<table border="1"> <tr> <td>Third Angle</td> <td>Sheet of 1 / 1</td> <td>Unit mm</td> <td>Scale No Scale</td> <td>Size A4</td> </tr> <tr> <td>Steed P/N. DH-4030</td> <td>DWG No. DH-4030</td> <td>Rev. Ori.</td> <td colspan="2"></td> </tr> </table>	Third Angle	Sheet of 1 / 1	Unit mm	Scale No Scale	Size A4	Steed P/N. DH-4030	DWG No. DH-4030	Rev. Ori.			<p>Address D:\AutoCad\</p>	<table border="1"> <thead> <tr> <th>Item</th> <th>Used On</th> <th>Description</th> <th>Material</th> <th>Qty.</th> <th>Date</th> </tr> </thead> <tbody> <tr> <td>1</td> <td>PA-40/30</td> <td>PA-40/30 DECK HORN</td> <td>ABS PLASTIC</td> <td>1</td> <td>06/26/08</td> </tr> </tbody> </table> <p>APPLICATIONS</p>	Item	Used On	Description	Material	Qty.	Date	1	PA-40/30	PA-40/30 DECK HORN	ABS PLASTIC	1	06/26/08	<table border="1"> <thead> <tr> <th>Rev.</th> <th>Description</th> <th>Originator</th> <th>Date</th> </tr> </thead> <tbody> <tr> <td>Ori.</td> <td>Release For Approval</td> <td>James</td> <td>06/26/2008</td> </tr> </tbody> </table>	Rev.	Description	Originator	Date	Ori.	Release For Approval	James	06/26/2008	<p>TOLERANCES UNLESS OTHERWISE SPECIFIED DECIMAL PLACES .X = .1 .XX = .05 .XXX = .010</p>	<p>Drawn James 06/26/2008 Checked Jack 06/26/2008 Approved Johnson 06/26/2008</p>	<p>J</p>
Third Angle																Sheet of 1 / 1	Unit mm	Scale No Scale	Size A4																																
Steed P/N. DH-4030	DWG No. DH-4030	Rev. Ori.																																																	
Item	Used On	Description	Material	Qty.	Date																																														
1	PA-40/30	PA-40/30 DECK HORN	ABS PLASTIC	1	06/26/08																																														
Rev.	Description	Originator	Date																																																
Ori.	Release For Approval	James	06/26/2008																																																
H												<p>I</p>																																							
G													<p>H</p>																																						
F												<p>G</p>																																							
E													<p>F</p>																																						
D												<p>E</p>																																							
C													<p>D</p>																																						
B												<p>C</p>																																							
A													<p>B</p>																																						
	10	9	8	7	6	5	4	3	2	1																																									