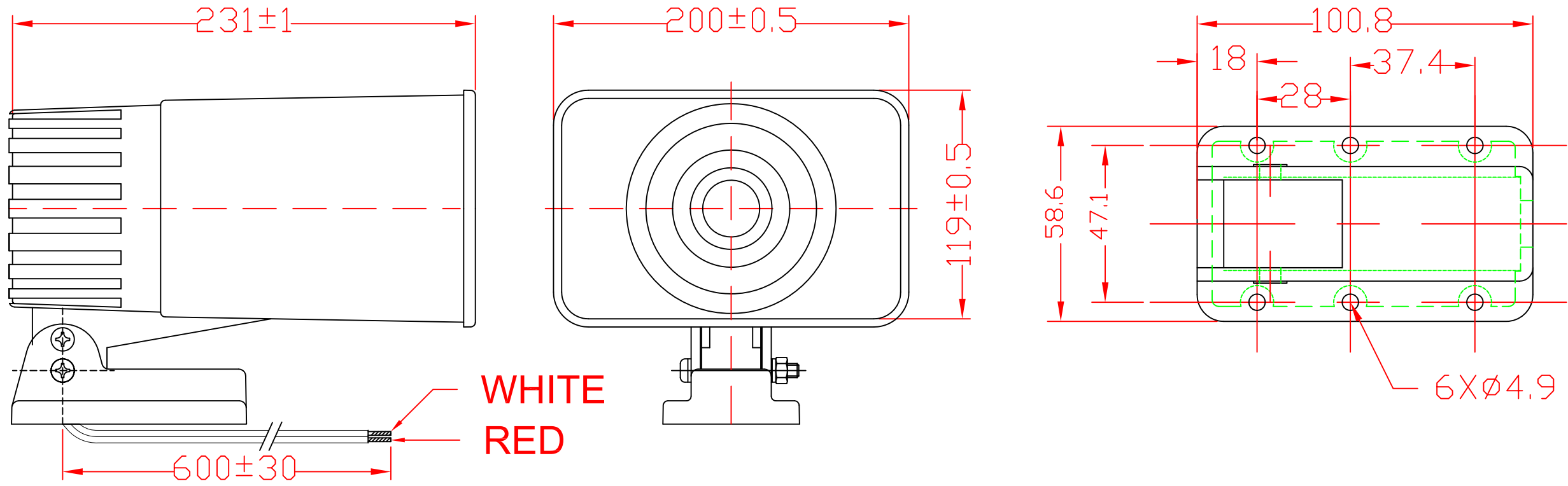


This document and the information contained therein is proprietary to NEWMAR & shall not be used or disclosed to others, in whole or in part, without the written permission of NEWMAR

REVISIONS			
Rev.	Description	Originator	Date
1	Release For Approval	James	06/27/2008

Bracket Feet Pattern



P/N. 144-0015-0

TOLERANCES UNLESS OTHERWISE SPECIFIED DECIMAL PLACES .X = .1 .XX = .05 .XXX = .010	NEWMAR			
	Tel: 714-751-0488 Fax: 714-957-1621 Email: techservice@newmarpower.com			
Drawn James 06/27/2008	Title: PA-30/20 DECK HORN			
Checked Jack 06/27/2008	Third Angle ☉	Sheet of 1 / 1	Unit mm	Scale No Scale
Approved Johnson 06/27/2008	Steed P/N. DH-3020	DWG No. DH-3020	Size A4	Rev. Ori.
Address D:\AutoCad\				

Item	Used On	Description	Material	Qty.	Date
1	PA-30/20	PA-30/20 DECK HORN	ABS PLASTIC	1	06/27/08
APPLICATIONS					

	10	9	8	7	6	5	4	3	2	1		
J	This document and the information contained therein is proprietary to NEWMAR & shall not be used or disclosed to others, in whole or in part, without the written permission of NEWMAR					REVISIONS						J
I												I
H												H
G												G
F												F
E												E
D												D
C												C
B												B
A												A
	10	9	8	7	6	5	4	3	2	1		